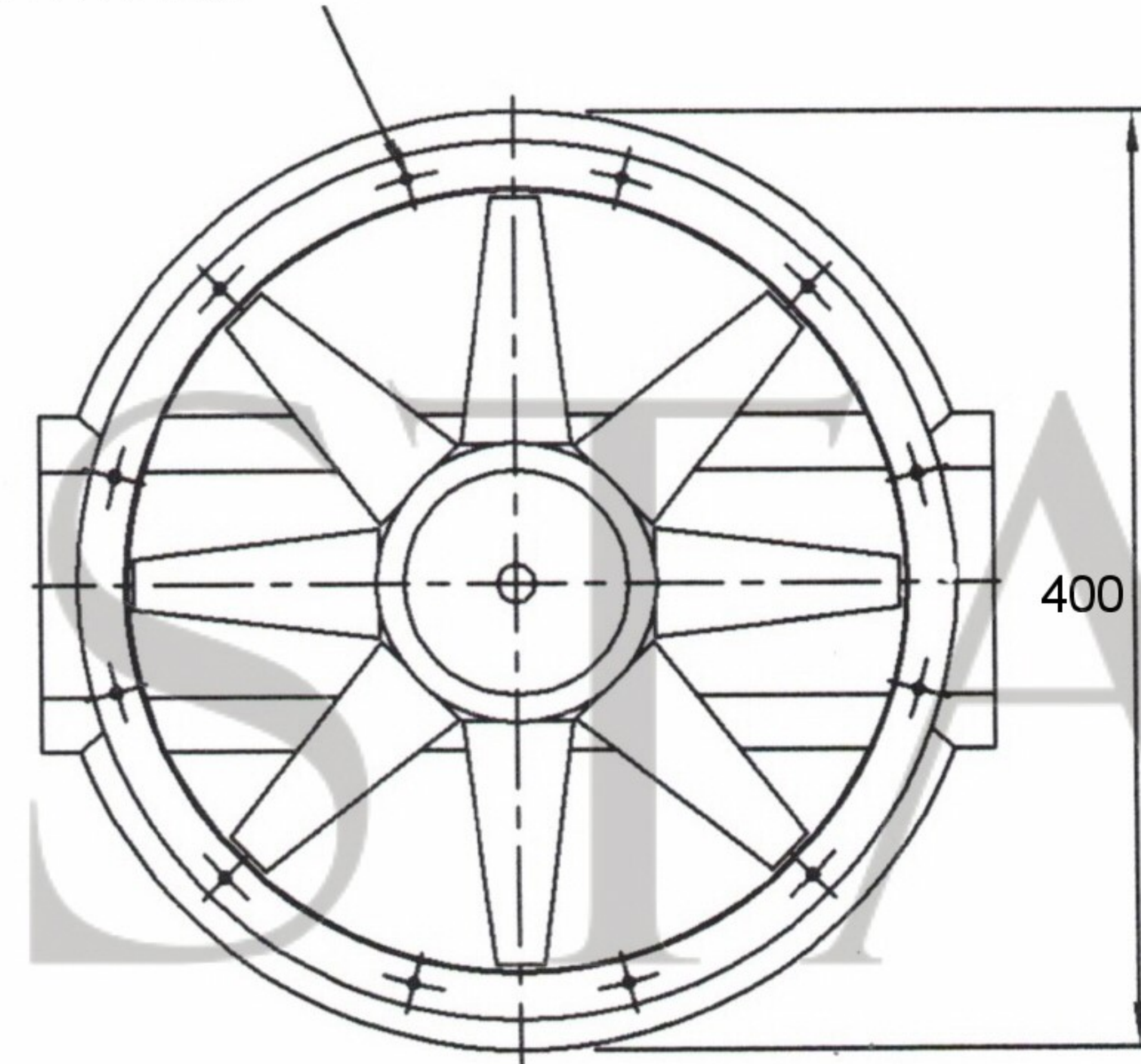


x8 holes equi-spaced
 Hole Dia: 10mm
 P.C.D: 242mm



POLE STAR PRODUCTS LIMITED

SPECIFICATION					
Motor	TEFV	Speed (RPM)	2640	Bearings	Ball
Voltage (V)	230	Motor Protection	Th.Prot.	Weight (Kg)	
Frequency (Hz)	50	Insulation Class	F	Noise dB(A)	
Power In/Out (W)	370	Protection Class	IP55		
Current (A)	2.59	Capacitor (MF)	14.0		

POLE STAR
 PRODUCTS LIMITED

POLE STAR PRODUCTS LIMITED	
Product Code	BF1-200/2-0.37N
Projection Angle	± 3°
Scale:	A4
Sheet:	1 of 1