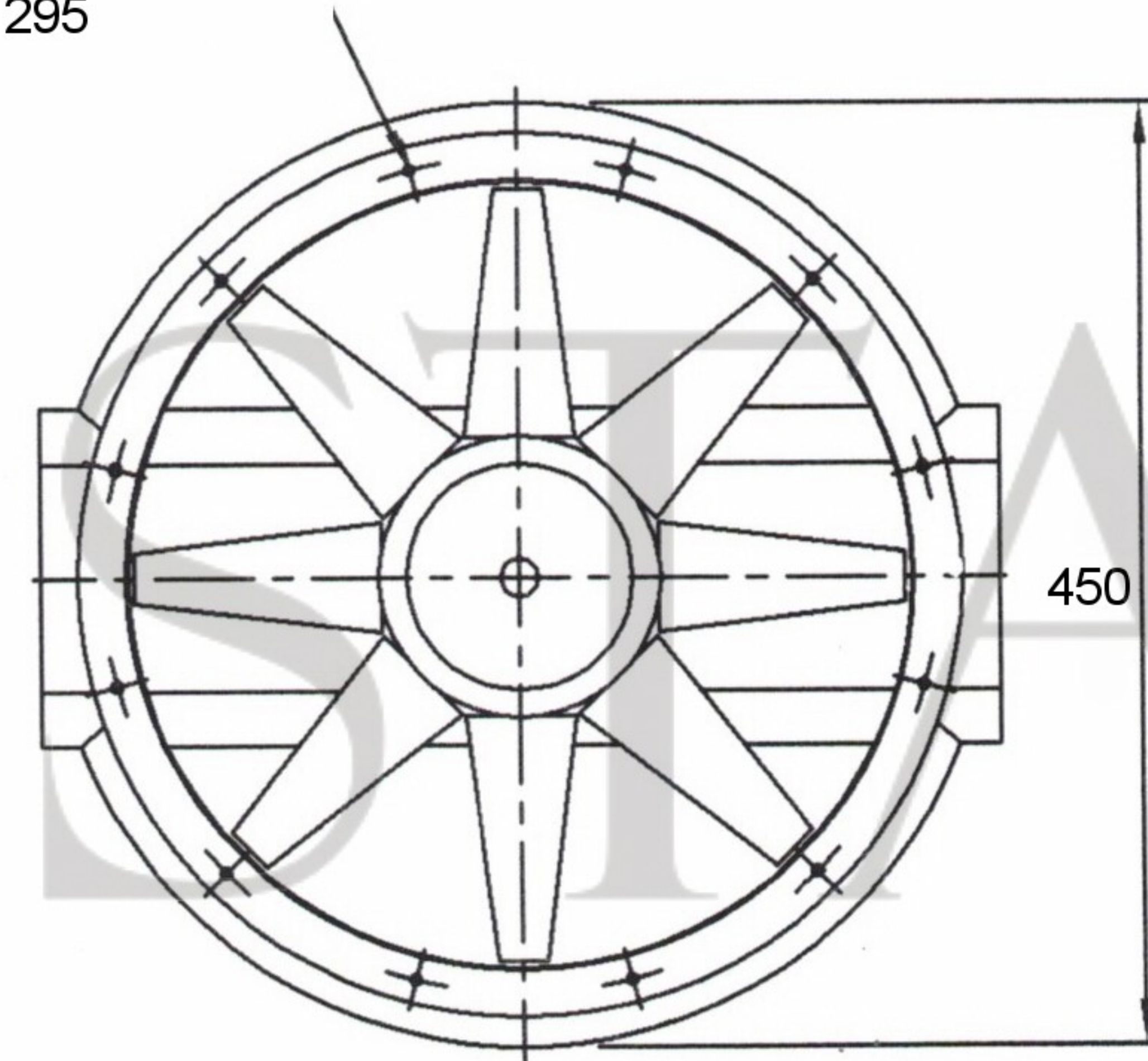


x8 holes equi-spaced
Hole Dia:10mm
P.C.D: 295



POLE STAR PRODUCTS LIMITED

| SPECIFICATION | | | | | |
|------------------|------|------------------|----------|-------------|------|
| Motor | TEFV | Speed (RPM) | 2640 | Bearings | Ball |
| Voltage (V) | 230 | Motor Protection | Th.Prot. | Weight (Kg) | |
| Frequency (Hz) | 50 | Insulation Class | F | Noise dB(A) | |
| Power In/Out (W) | 370 | Protection Class | IP55 | | |
| Current (A) | 2.59 | Capacitor (MF) | 14.0 | | |

POLE STAR
PRODUCTS LIMITED

| POLE STAR PRODUCTS LIMITED | |
|----------------------------|------------------------|
| Product Code | BF1-250/2-0.37N |
| Projection Angle | ± 3° |
| | |
| | A4 |
| | Scale: |
| | Sheet: 1 of |