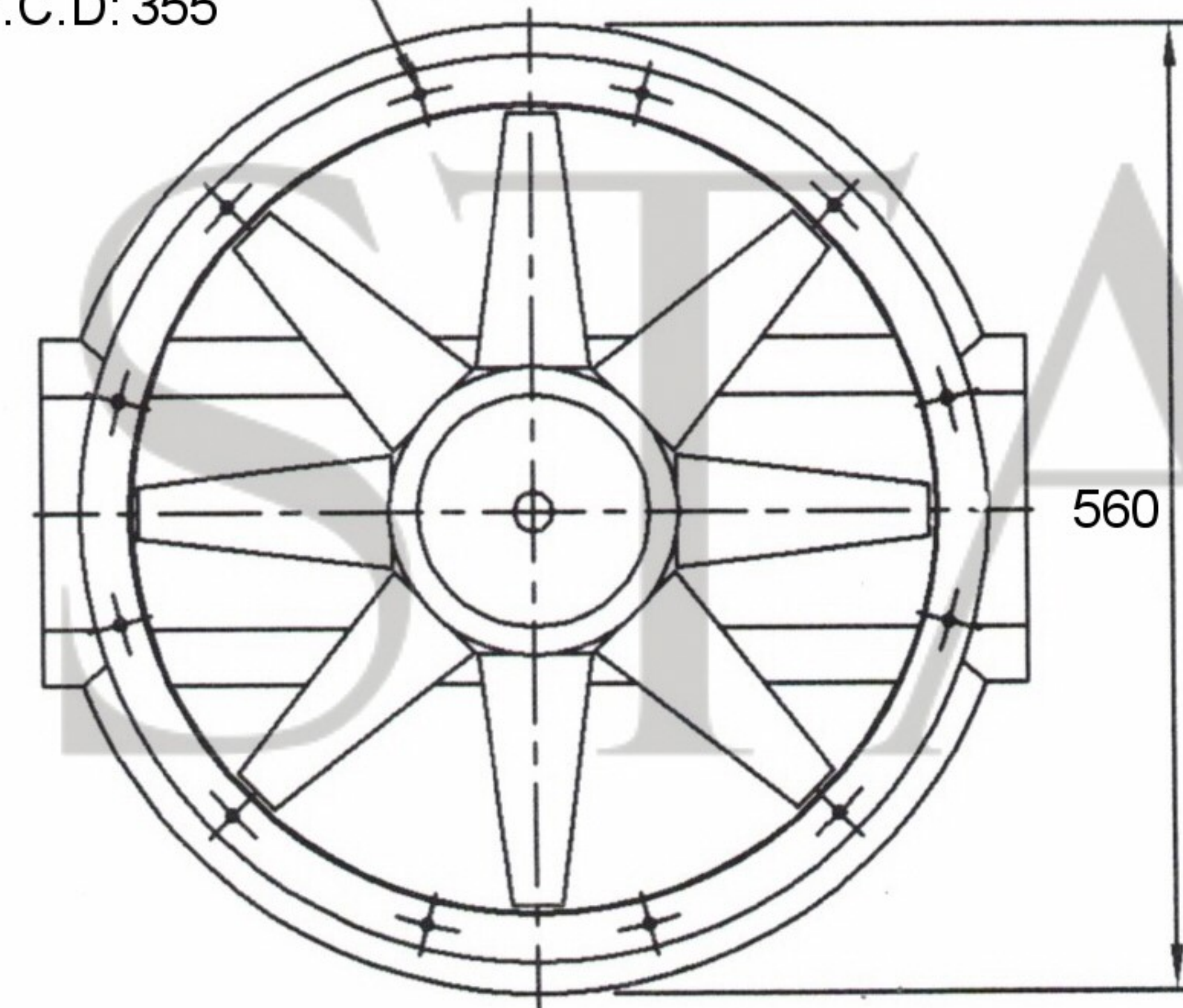


x8 holes equi-spaced
Hole Dia: 10mm
P.C.D: 355



POLE STAR PRODUCTS LIMITED

SPECIFICATION					
Motor	TEFV	Speed (RPM)	2760	Bearings	Ball
Voltage (V)	230	Motor Protection	Th.Prot.	Weight (Kg)	
Frequency (Hz)	50	Insulation Class	F	Noise dB(A)	
Power In/Out (W)	550	Protection Class	IP55		
Current (A)	3.52	Capacitor (MF)	20.0		

POLE STAR
PRODUCTS LIMITED

POLE STAR PRODUCTS LIMITED	
Product Code	BF1-315/2-0.55N
Projection	A4
Angle	Scale:
± 3°	Sheet: 1 of

