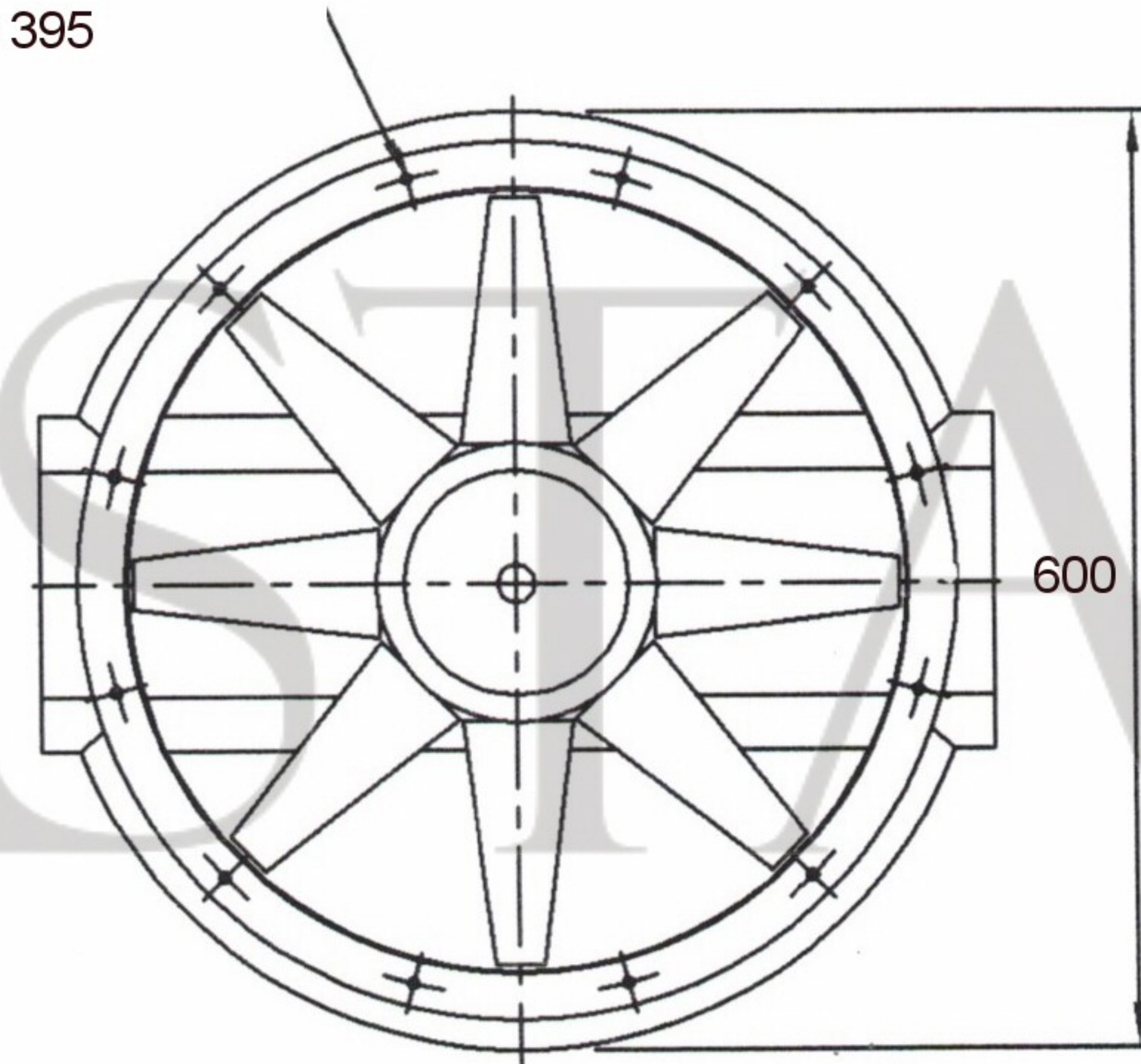


x8 holes equi-spaced
Hole Dia: 12mm
P.C.D: 395



POLE STAR PRODUCTS LIMITED

SPECIFICATION					
Motor	TEFV	Speed (RPM)	1400	Bearings	Ball
Voltage (V)	230	Motor Protection	Th.Prot.	Weight (Kg)	
Frequency (Hz)	50	Insulation Class	F	Noise dB(A)	
Power In/Out (W)	250	Protection Class	IP55		
Current (A)	1.94	Capacitor (MF)	12.0		

POLE STAR
PRODUCTS LIMITED

POLE STAR PRODUCTS LIMITED	
Product Code	BF1-355/4-0.25N
Projection Angle	± 3°
	A4
	Scale:
	Sheet: 1 of