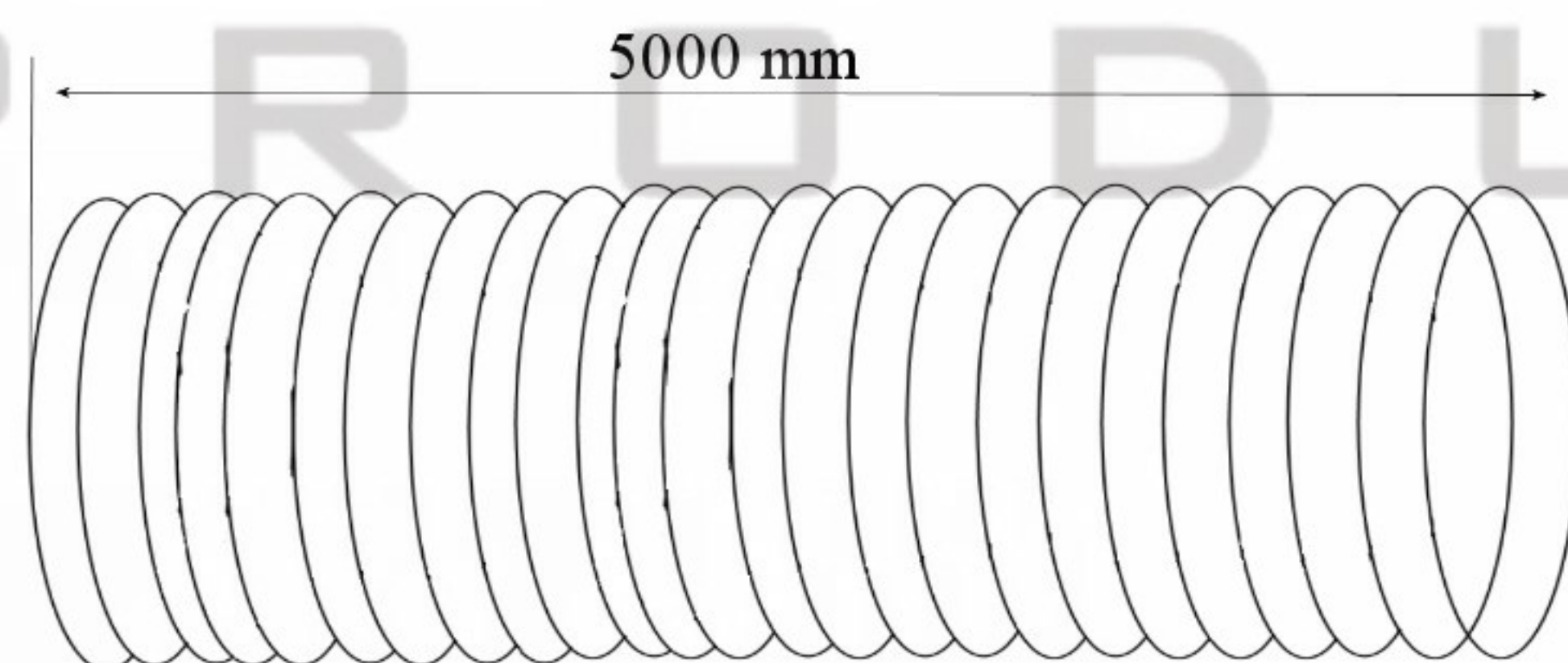


**Optional: Flexible ducting**



Part No: MCD400

SPECIFICATION				
Fan Blade Ø	400 mm	AirFlow (m3/h)	11,000	
RPM	2900	Motor Power (Kw)	1.5	
Pressure (Pa)	400			

**POLE STAR**  
PRODUCTS LIMITED

POLE STAR PRODUCTS LIMITED	
Product Code	<b>MC1-400-2P</b>
Projection Angle	± 3°
	A4
	Scale:
	Sheet: 1 of