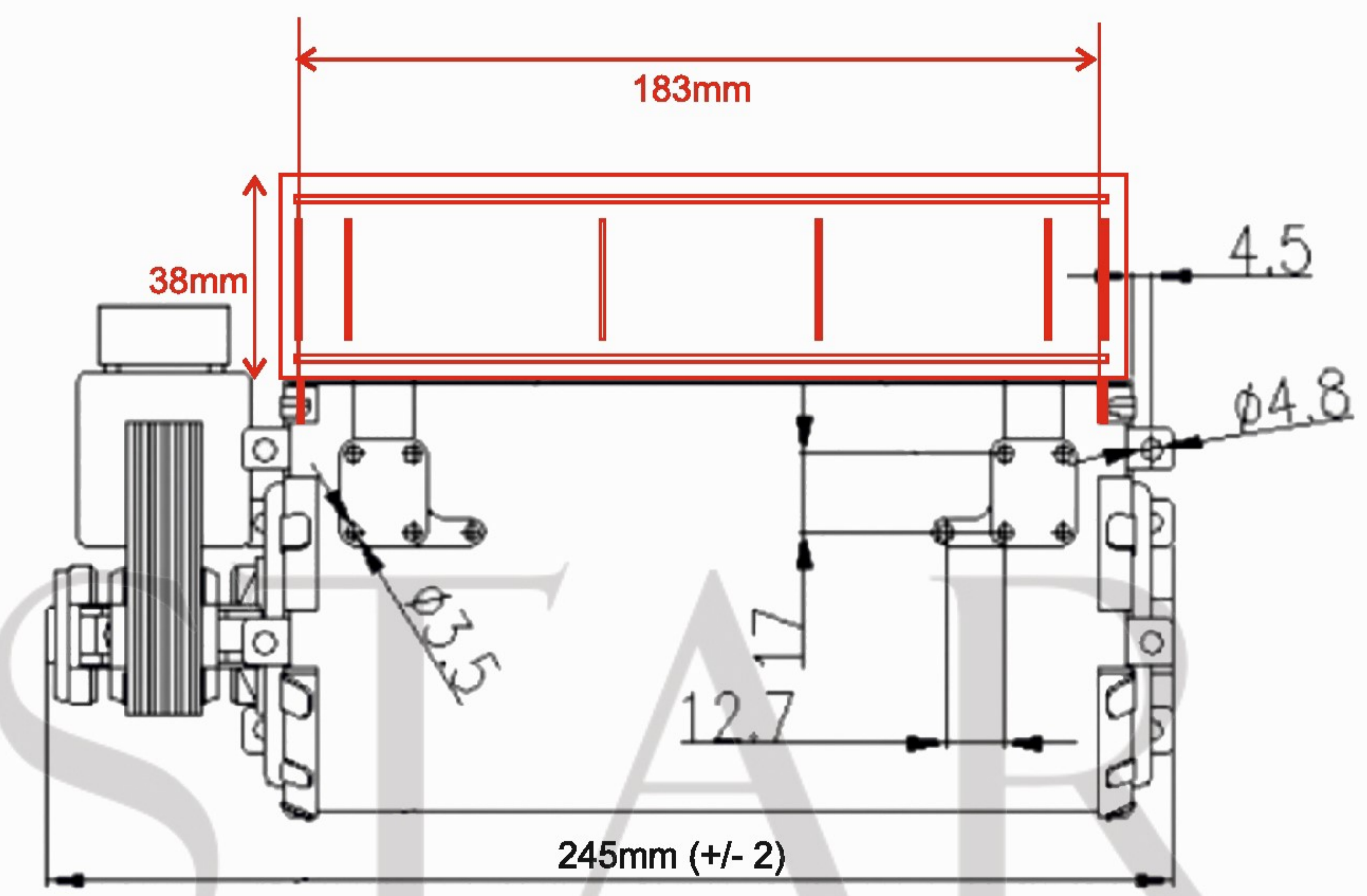
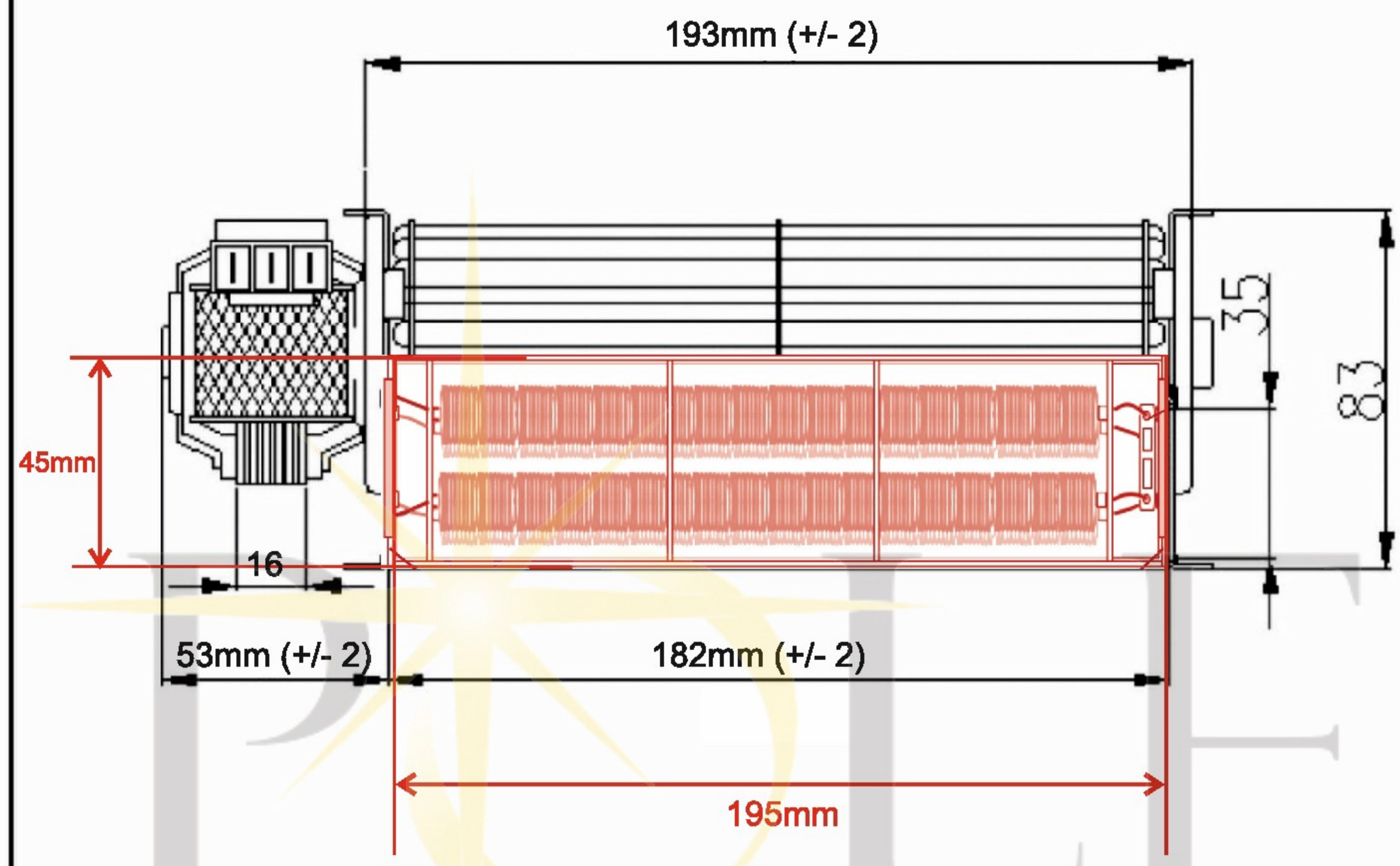
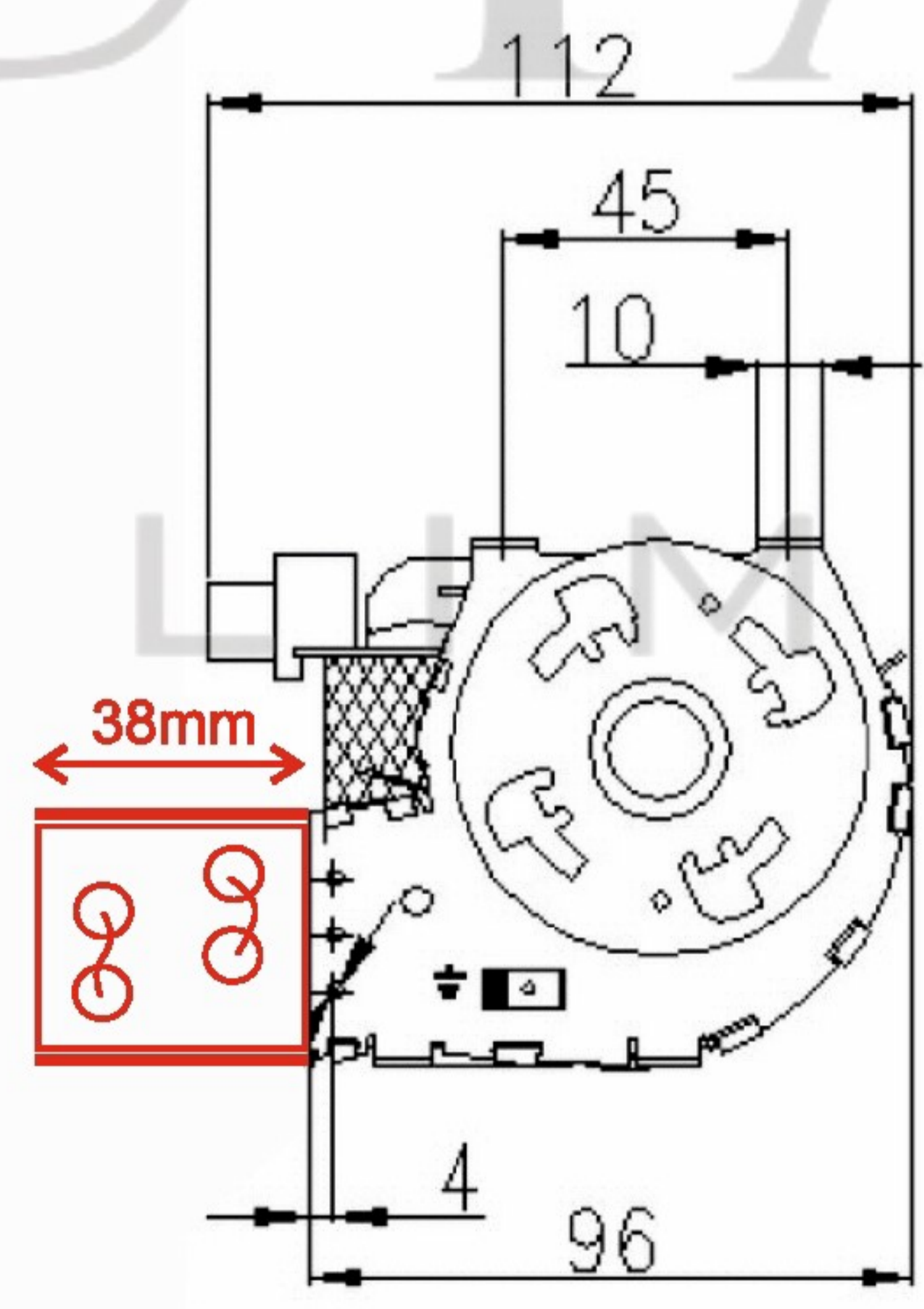
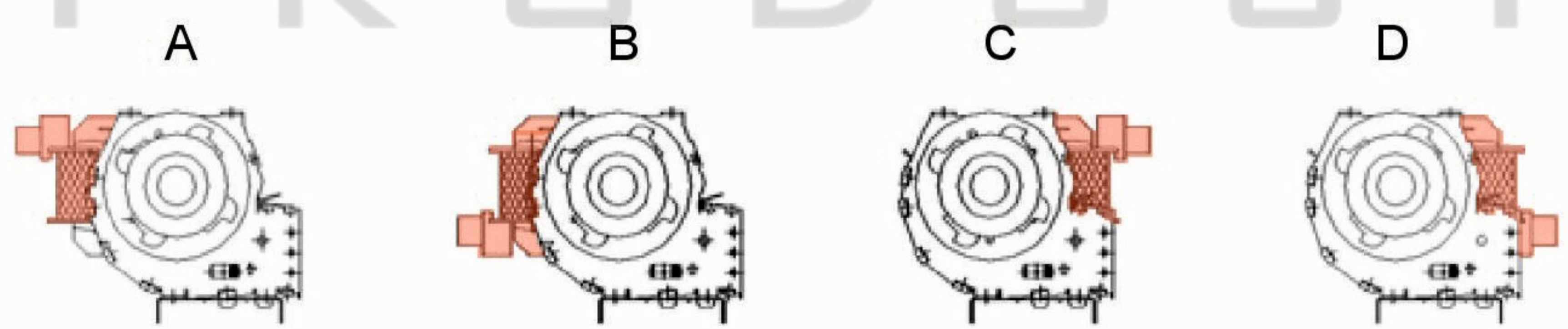


Model shown is left hand motor



Fan Motor Mounting Positions



Temp. Range: 0°C to + 60°C Heating element: 500+500 watts (1000w)

SPECIFICATION	Temp. Range: 0°C to + 60°C Heating element: 500+500 watts (1000w)				
Motor	SHP	Speed (RPM)	1500	Bearings	Sleeve
Voltage (V)	230/240	Motor Protection	Imp.Prot	Weight (Kg)	0.9
Frequency (Hz)	50	Insulation Class	F	Air Volume (M³/h)	140
Power In/Out (W)	28	Protection Class	IP20	Noise Level (dBA)	
Current (A)		Capacitor (Mf)	N/A	Max Pressure (Pa)	60

POLE STAR
PRODUCTS LIMITED

POLE STAR PRODUCTS LIMITED	
Product Code	
TAS18-HE-1A	
Projection Angle	A4
± 3°	Scale:
	Sheet: 1 of

