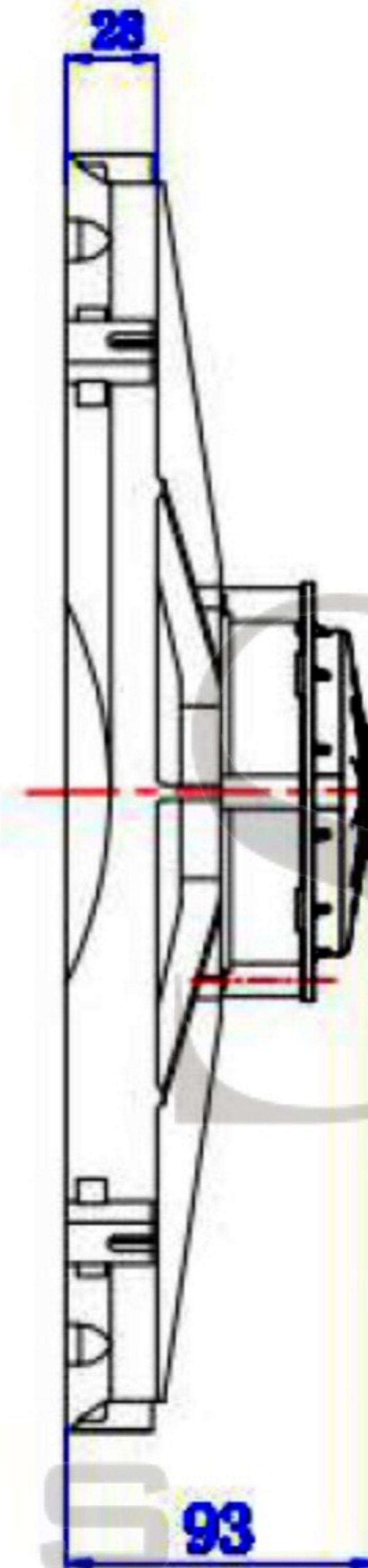
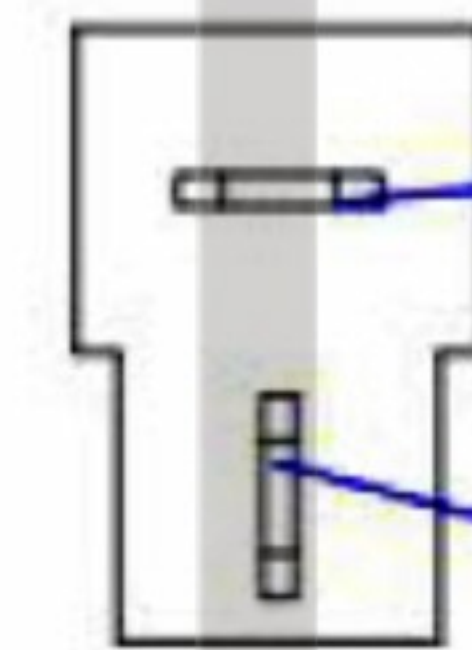


Airflow



(B to view)
 5:1 (scale 5:1)



red wire: positive wire

black wire: negative wire



| SPECIFICATION | | | | | |
|---------------|------|------------------------------|------|-------------|------|
| Motor | DC | Speed (RPM) | 3000 | Bearings | Ball |
| Voltage (V) | 24 | Pressure (pa) | 100 | Weight (Kg) | |
| | | Air Flow (M ³ /h) | 2400 | Noise dB(A) | |
| Test Voltage | 27 | | | | |
| Current (A) | 10.5 | | | | |

POLE STAR
 PRODUCTS LIMITED

| | |
|----------------------------|--------------------|
| POLE STAR PRODUCTS LIMITED | |
| Product Code | VF1-24-14-S |
| Projection Angle | ± 3° |
| | |
| | A4 |
| | Scale: |
| | Sheet: 1 of |