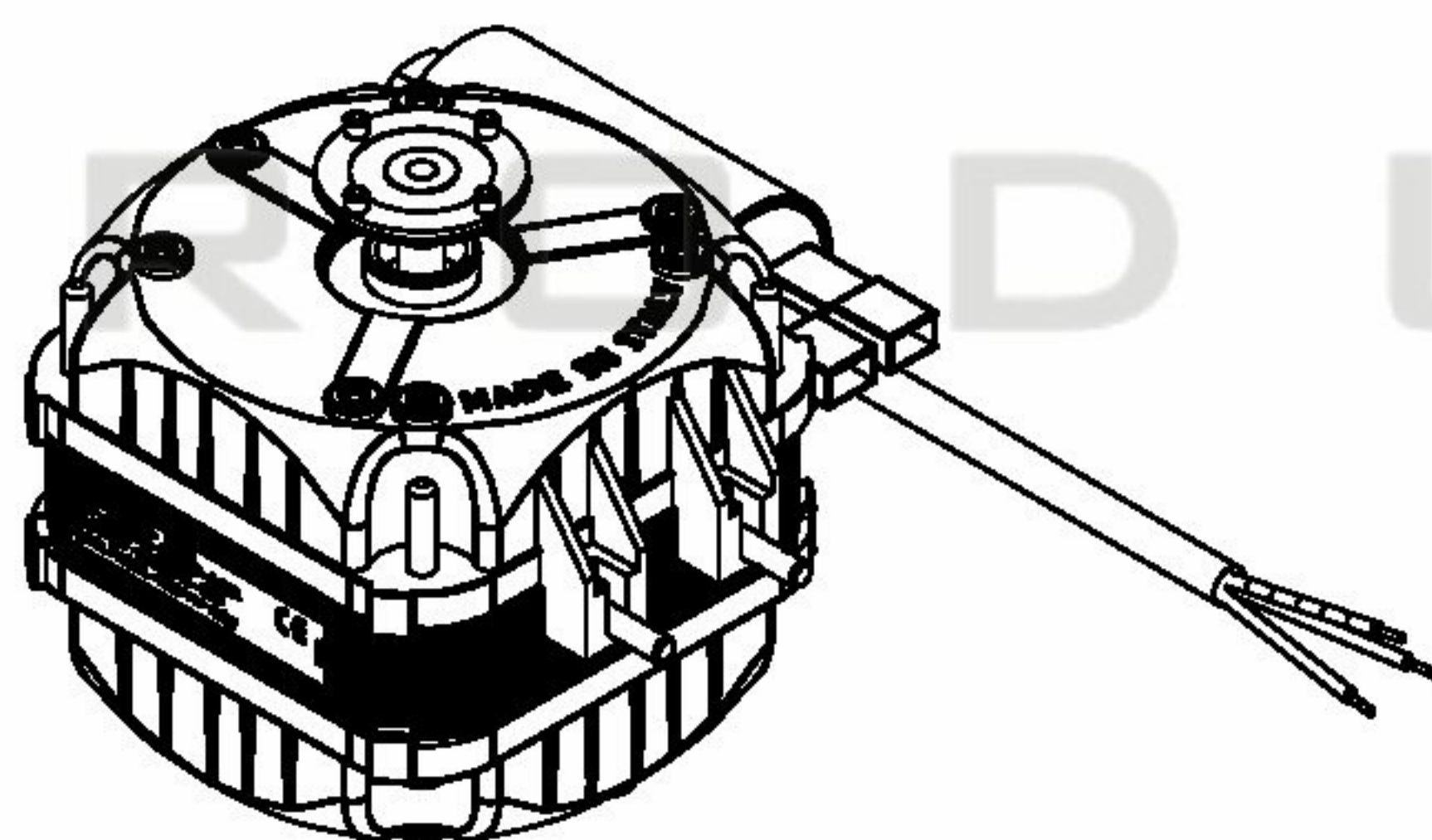
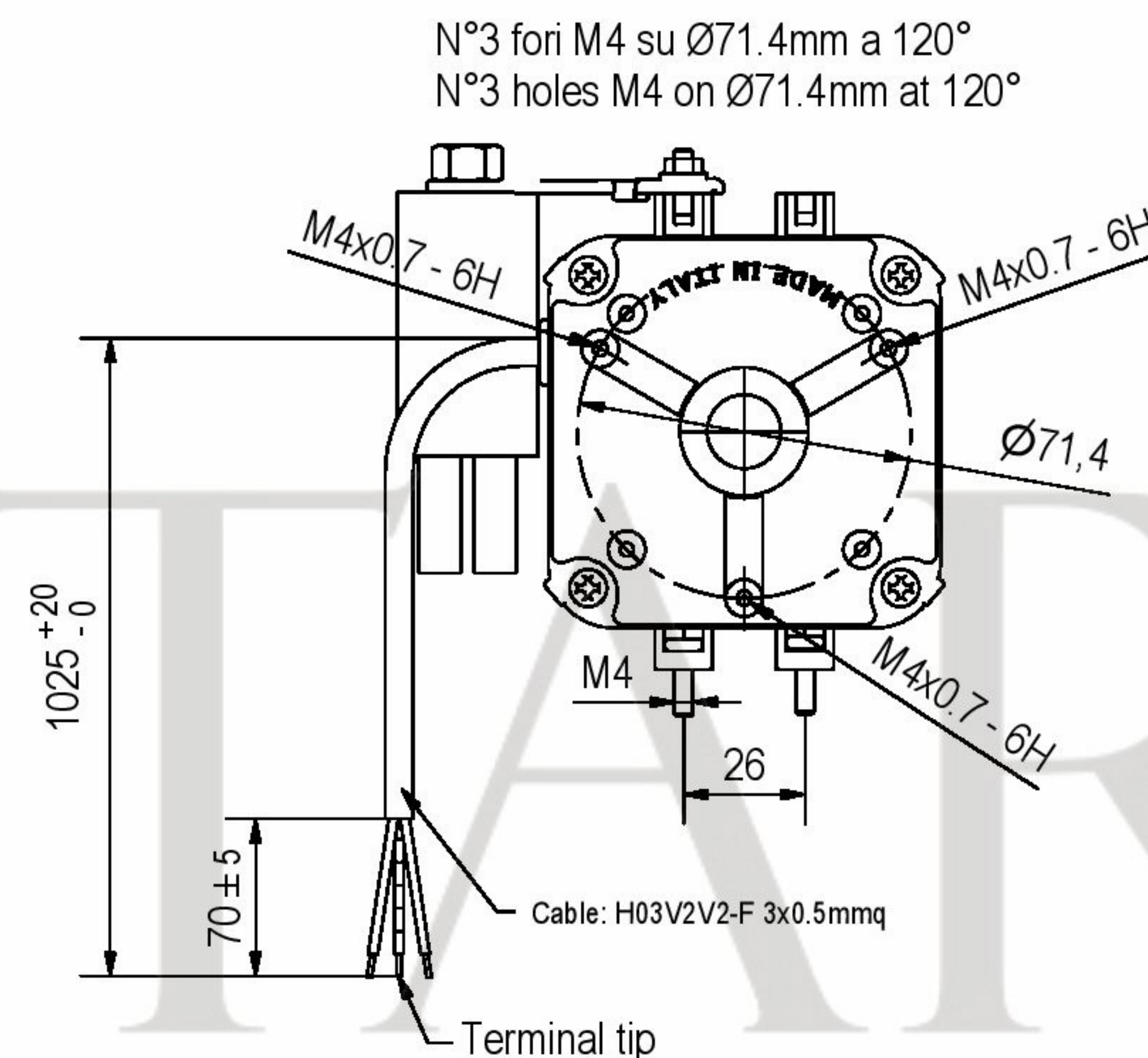
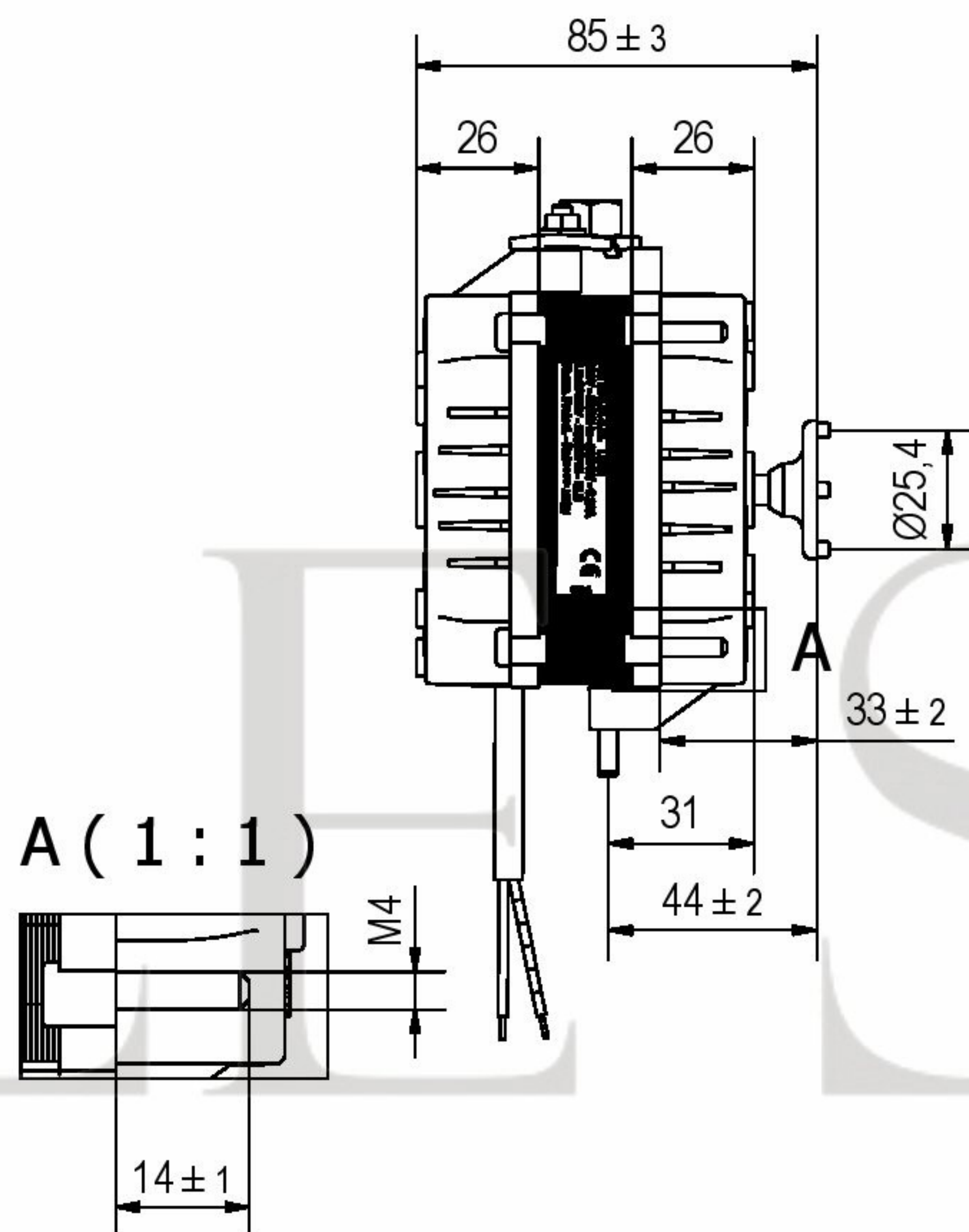
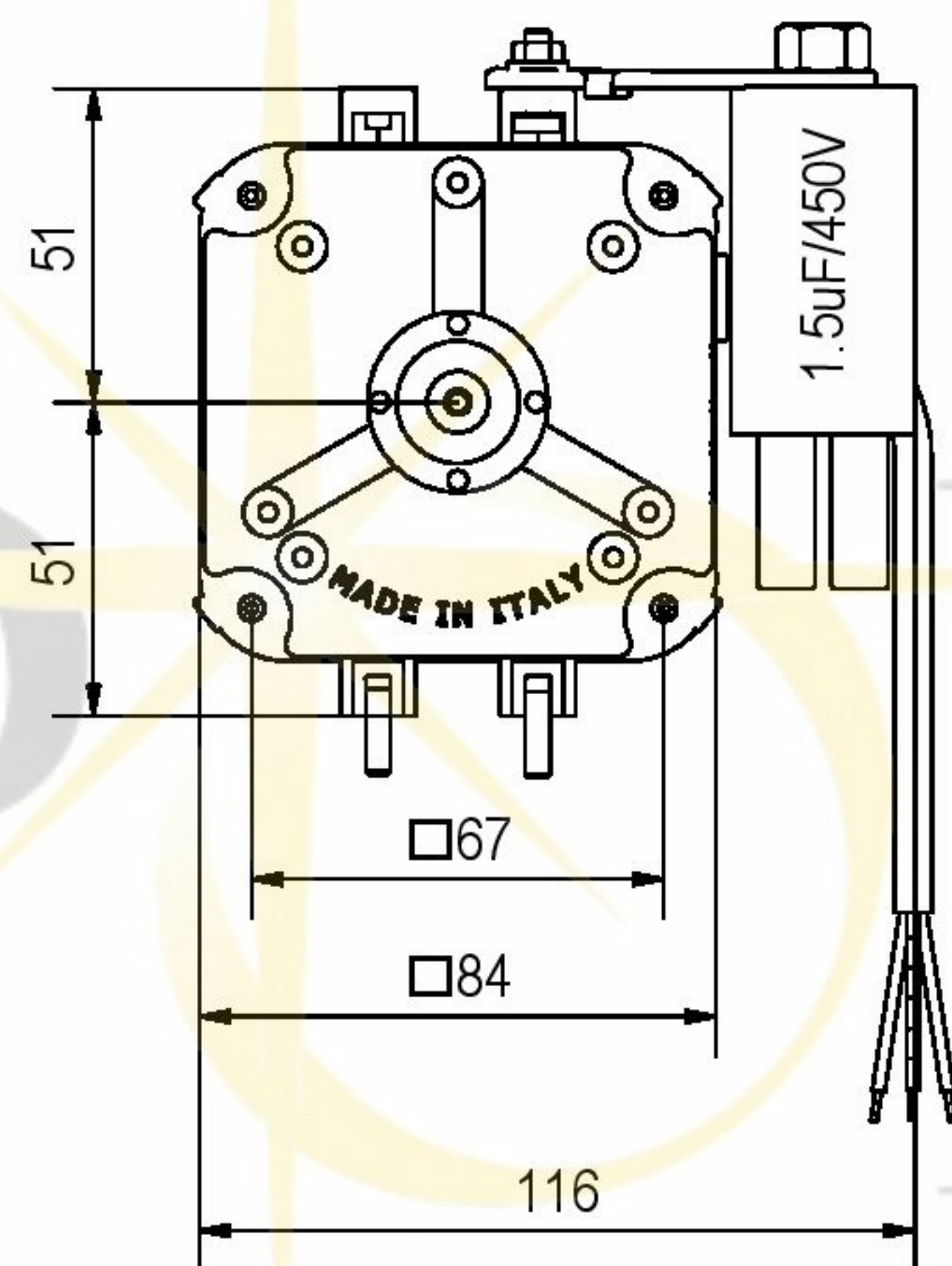
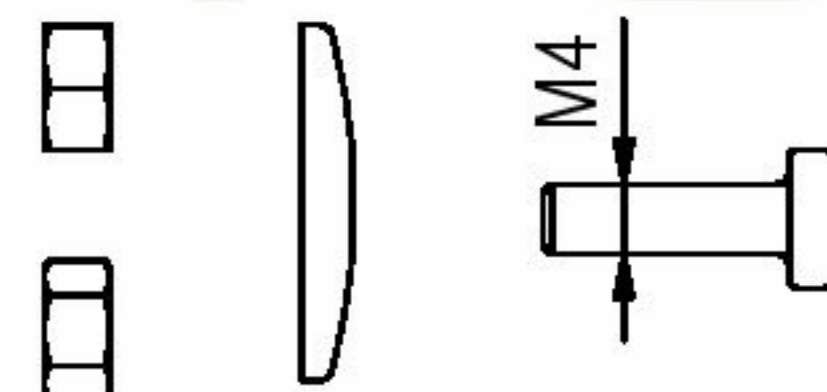


C.C.W. rotation seen from shaft



Accessories supplied separately



Data label

Pole Star Products Ltd.  
 230V - 50/60Hz - 21/64W - 0.28A  
 1.5uF/450V - 2600RPM - Cl.B  
 Therm. Protect. - Rot >>>> xx/yy

Month and year of production

SPECIFICATION					
Motor	PSC	Speed (RPM)	2600	Bearings	Sleeve
Voltage (V)	230	Motor Protection	Th.Prot.	Weight (Kg)	
Frequency (Hz)	50/60	Insulation Class	B	Noise dB(A)	
Power In/Out (W)	21/64	Protection Class	IP42		
Current (A)	0.28	Capacitor (MF)	1.5		

**POLE STAR**  
 PRODUCTS LIMITED

POLE STAR PRODUCTS LIMITED	
Product Code	<b>84TM21S-1</b>
Projection Angle	± 3°
	A4
	Scale:
	Sheet: 1 of