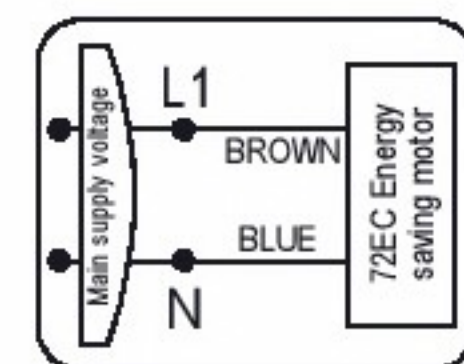


BRACKET FIXING SYSTEM
AVAILABLE ON REQUEST
(Su richiesta sistema per fissaggio staffa)

SAFETY INSTRUCTION
ELECTRONICALLY PROTECTED
by blocked rotor software
Reset procedure:
1) Cut the power OFF; 2) Wait 15 sec.; 3) Turn the power back ON

Pole Star Products Ltd.
ECFM-H12
220/240V 50/60Hz 1300rpm
Max. 20W 150mA CL.B Date



SPECIFICATION					
Motor	EC	Speed (RPM)	1300	Bearings	Ball
Voltage (V)	220/240	Motor Protection	IP65	Weight (Kg)	
Frequency (Hz)	50/60	Insulation Class	H	Noise dB(A)	
Max. Power (W)	20	Protection Class	B		
		Amb. Temp. Range	-40°C/+50°C		

POLE STAR
PRODUCTS LIMITED

POLE STAR PRODUCTS LIMITED	
Product Code	ECFM-H12
Projection Angle	± 3°
	A4
	Scale: Sheet: 1 of