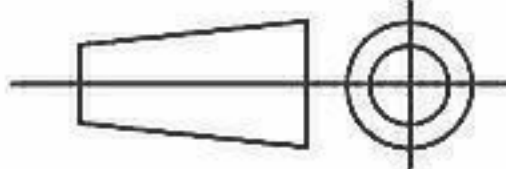


SPECIFICATION					
Motor	SP	Speed (RPM)	2100	Bearings	Sleeve
Voltage (V)	220/240	Motor Protection		Weight (Kg)	
Frequency (Hz)	50	Insulation Class	B	Air Volume (M ³ /h)	
Power In (W)	16/3	Protection Class	IP20	Noise Level (dBA)	
Current (A)		Capacitor (Mf)	N/A	Pressure (Pa)	

POLE STAR
PRODUCTS LIMITED

POLE STAR PRODUCTS LIMITED	
Product Code	24TM3S-1
Projection Angle ± 3°	
	A4
	Scale:
	Sheet: 1 of