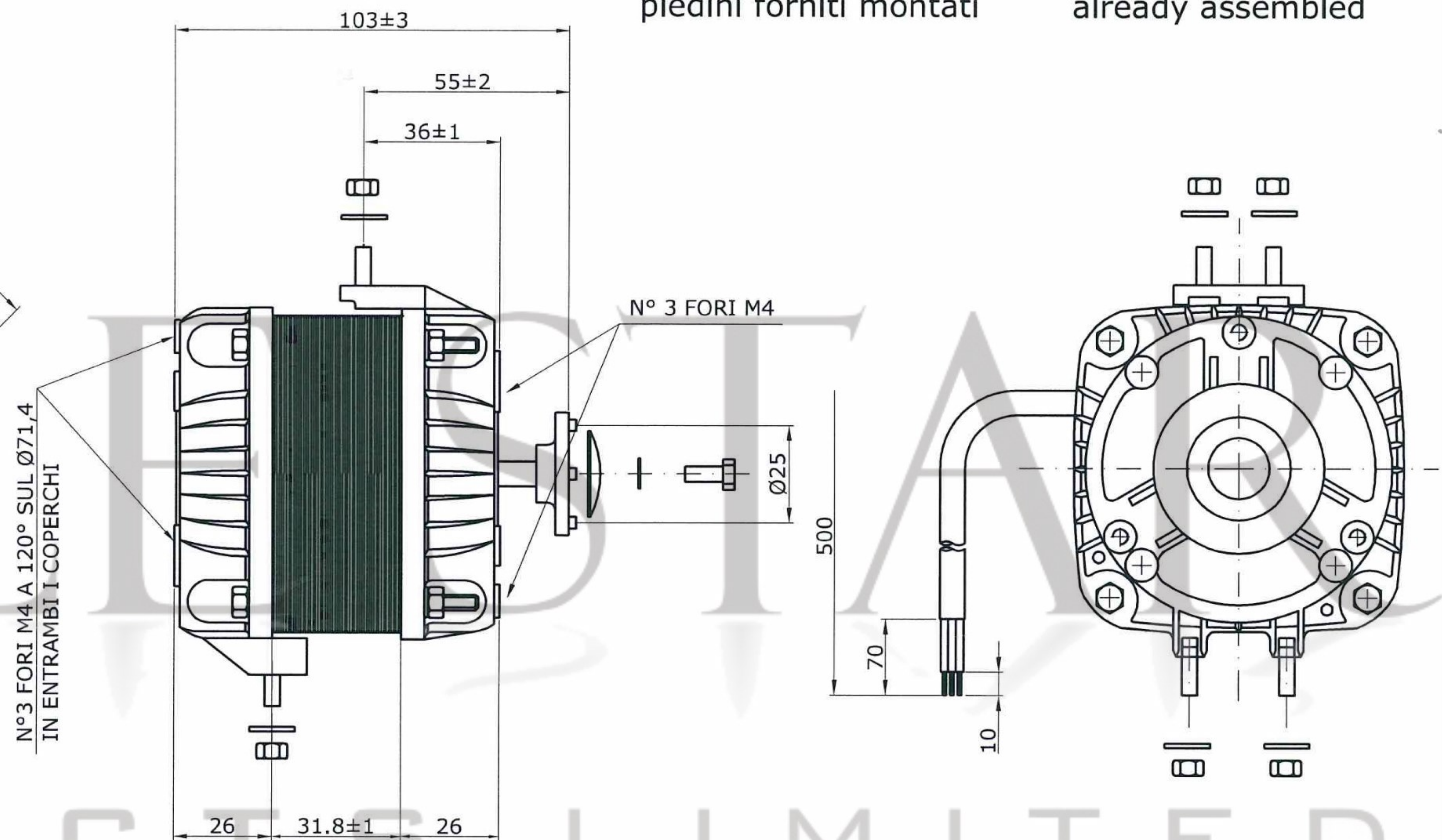
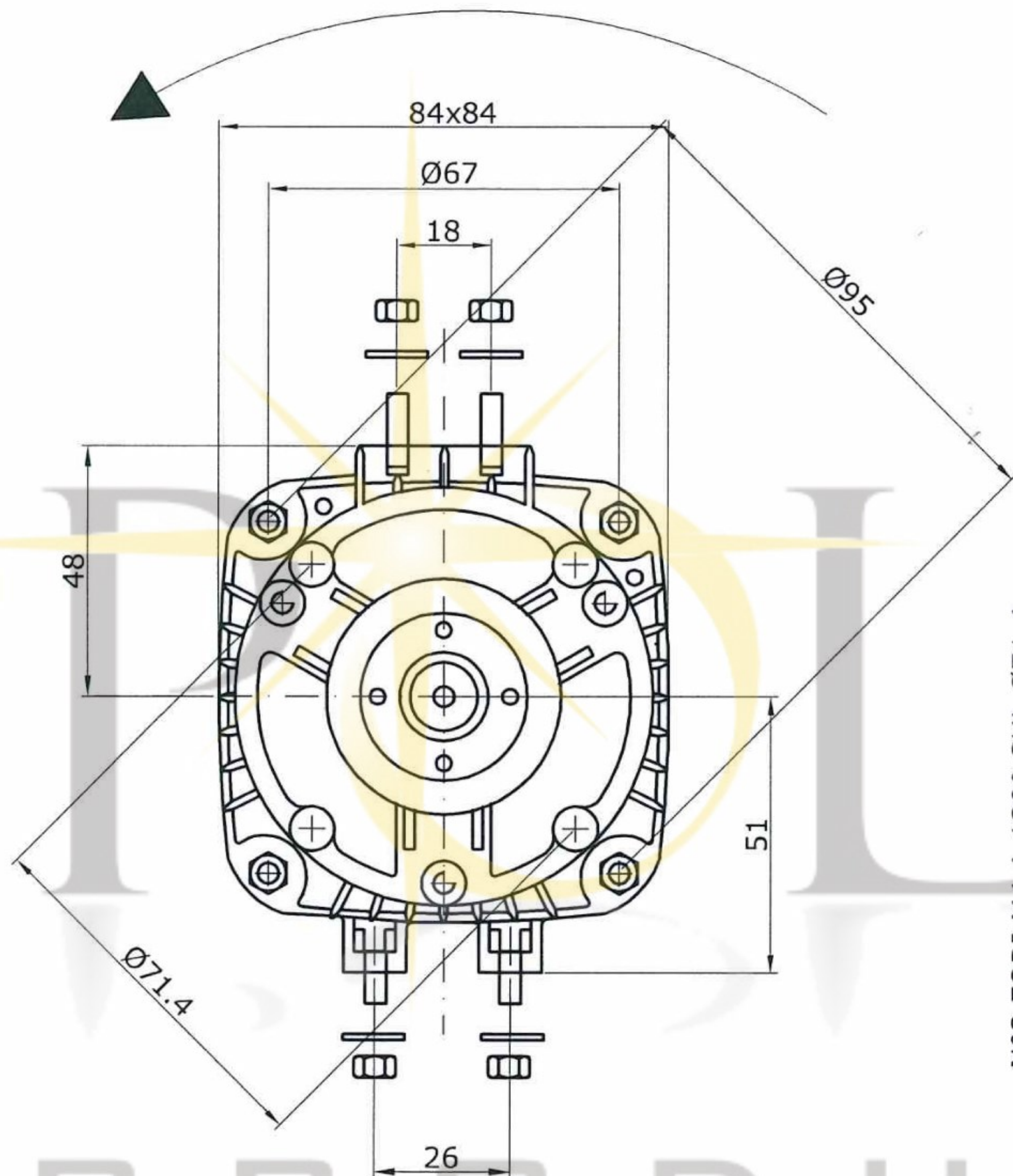


ROTAZIONE

accessori per il fissaggio della ventola e per i due piedini forniti montati

fixing material (nuts and screws), supplied already assembled



Motor identification data:

POLESTAR PS20BM-1 A.943
 220-240V 50/60Hz 20/76W 0.46A
 1300/1550Rpm Cl.F Therm .Prot. Rot.>>>



IMBALLO SINGOLO - SINGLE BOX

Mettere su ogni singola scatoletta la potenza del motore contenuto
 To write upon each box the power of the contained motor.

SPECIFICATION					
Motor	SP	Speed (RPM)	1300/1550	Bearings	Ball
Voltage (V)	220/240	Motor Protection	Th.Prot.	Weight (Kg)	
Frequency (Hz)	50/60	Insulation Class	B	Noise dB(A)	
Power In/Out (W)	20/76	Protection Class	IP42		
Current (A)	0.46	Capacitor (MF)			

POLE STAR
 PRODUCTS LIMITED

POLE STAR PRODUCTS LIMITED	
Product Code	BB20W
Projection Angle	± 3°
	A4
	Scale:
	Sheet: 1 of