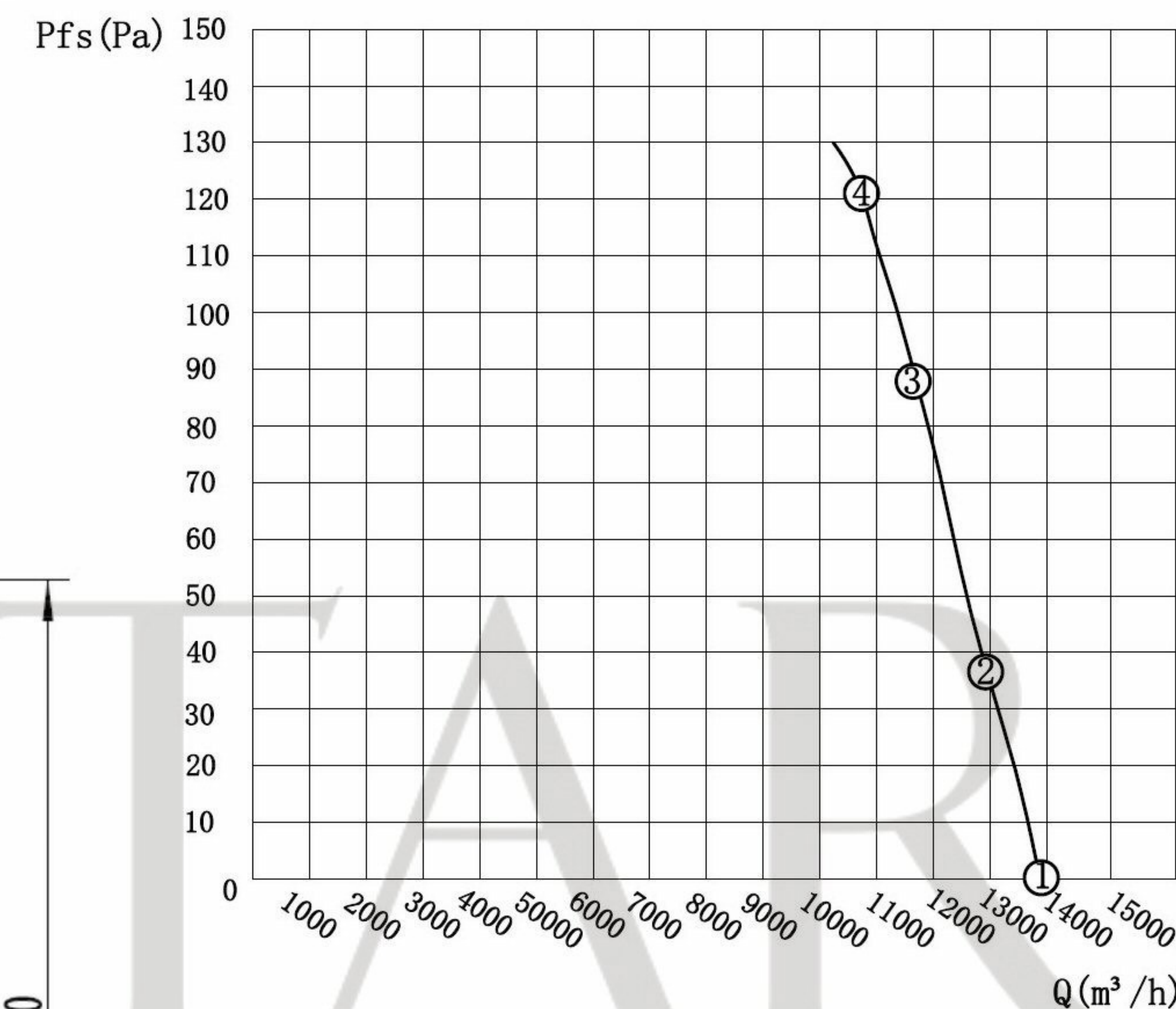
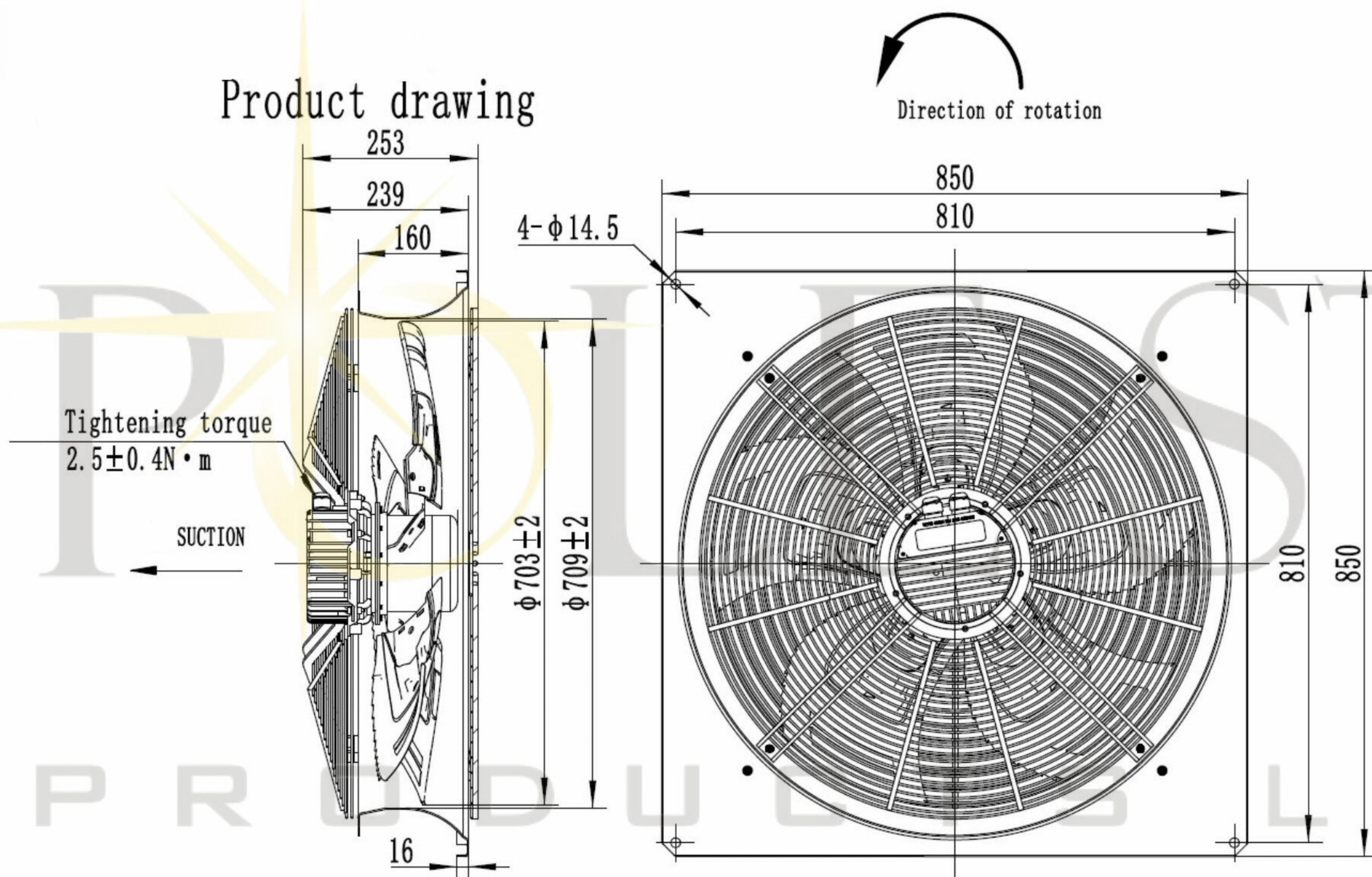


Performance curve



Product drawing



Measured values

	Pfs (Pa)	Current input (A)	Power input (W)	Speed (r/min)	Airflow (m³/h)	Note
①	0	2.89	663	1200	13880	
②	37	3.38	776	1200	12950	
③	89	3.86	883	1200	11682	
④	121	4.13	945	1200	10735	MAX. EFF

Wiring diagram



PE	P1		P2			P3							
PE	N	L	NO	COM	NC	4~20mA	20V	10V	0~10V	GND	FG	RSA	RSB

SPECIFICATION

Motor	EC	Speed (RPM)	1200	Bearings	Ball
Voltage (V)	230	Motor Protection	Th.Prot.	Weight (Kg)	
Frequency (Hz)	50/60	Insulation Class	F	Noise dB(A)	76
Power In/Out (W)	663	Protection Class	IP54	ERP2015	
Current (A)	2.89	Operating Temp.	-25℃~+65℃	η=38.27%(A,static) N=44.9	

POLE STAR
PRODUCTS LIMITED

POLE STAR PRODUCTS LIMITED

Product Code

GMA1-710S-EC

Projection

Angle

± 3°



A4

Scale:

Sheet: 1 of