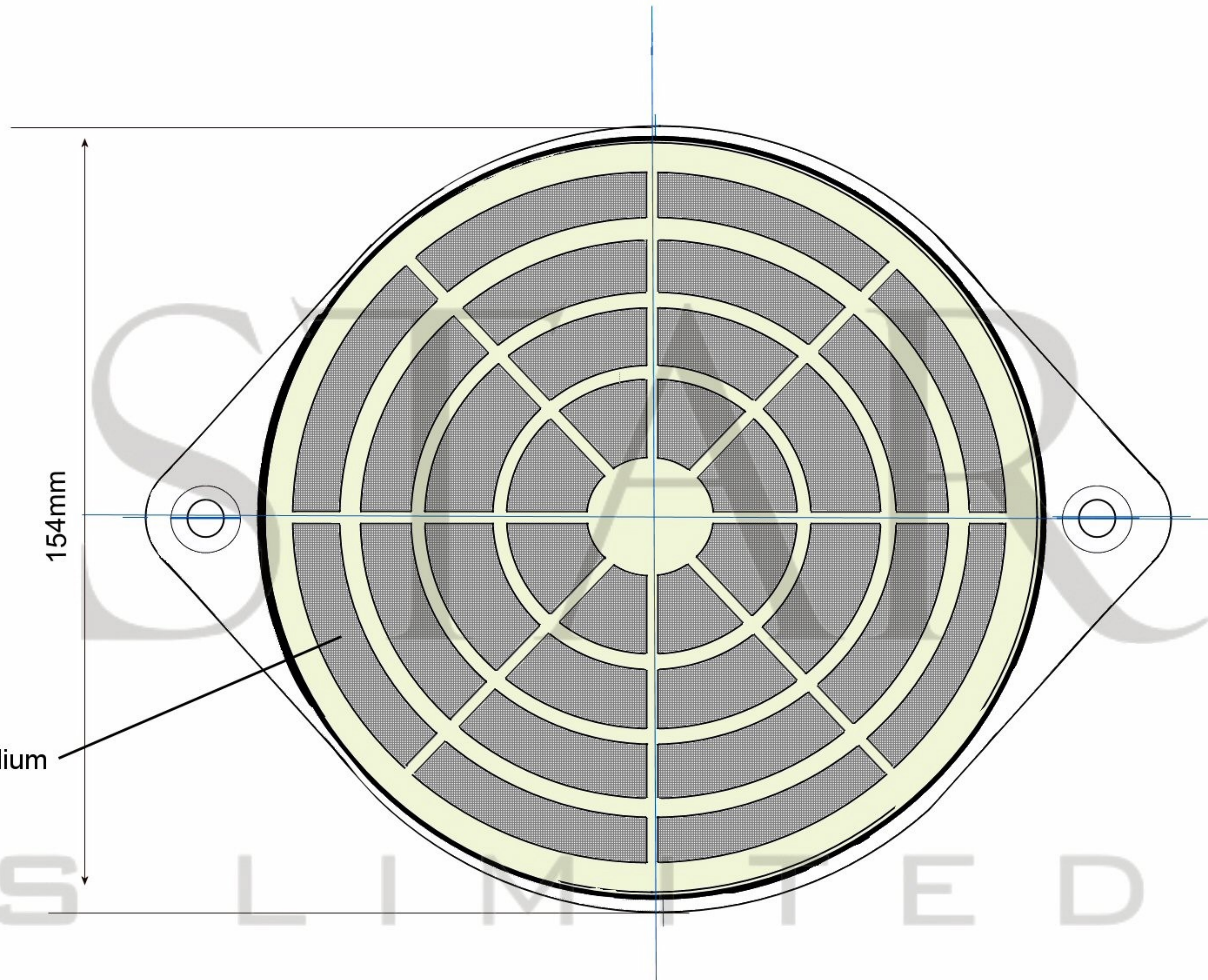
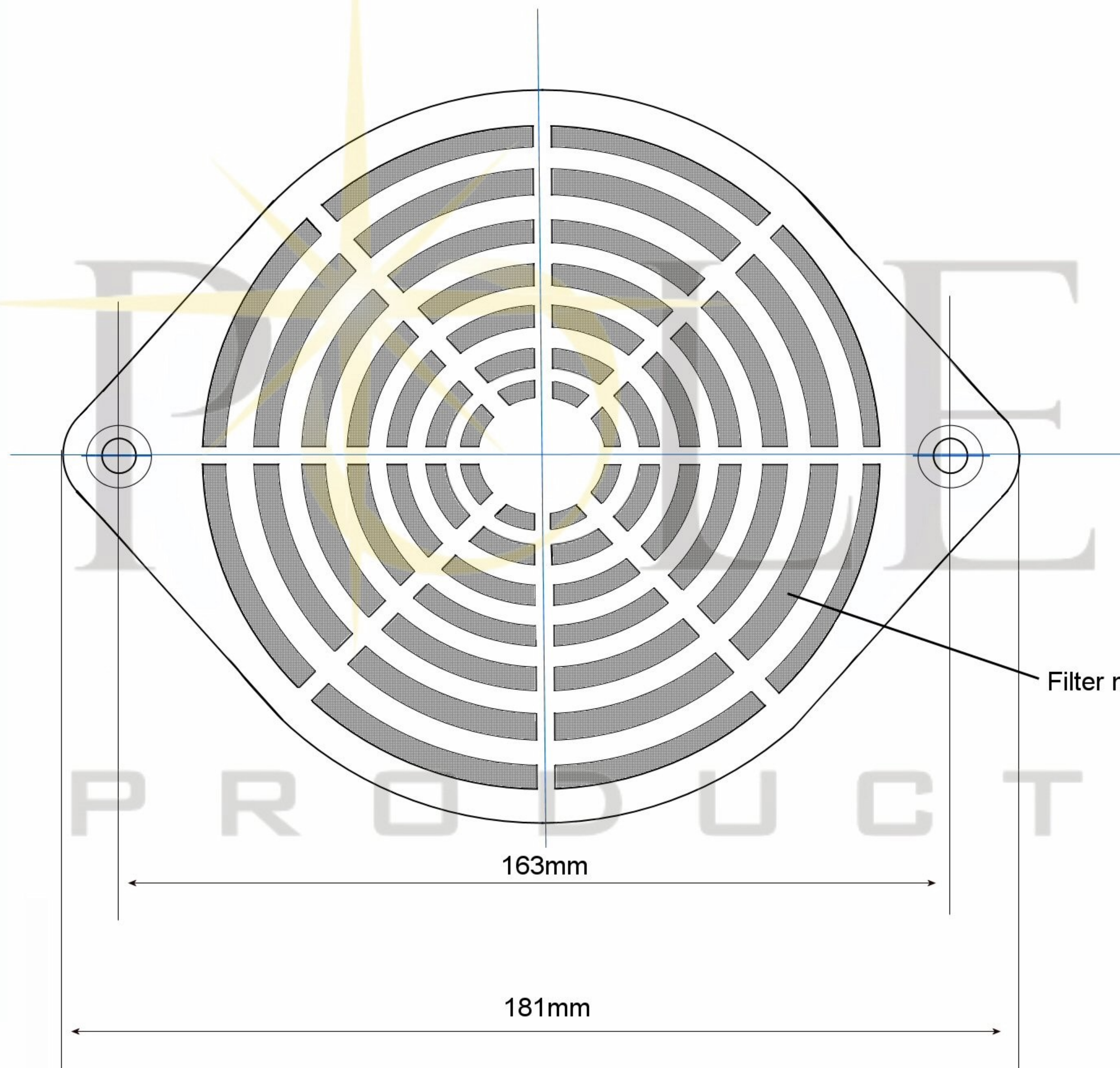


Front

Back

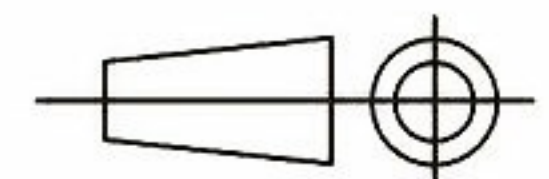


Removeable rear section to allow cleaning or replacement of filter meium

Thickness: 8.5mm

SPECIFICATION				
Motor	Speed (RPM)	Bearings	Ball	
Voltage (V)	Motor Protection	Weight (Kg)		
Frequency (Hz)	Insulation Class	Noise dB(A)		
Power In/Out (W)	Protection Class			
Current (A)	Capacitor (MF)			

**POLE STAR**  
PRODUCTS LIMITED

POLE STAR PRODUCTS LIMITED	
Product Code	<b>PFF172</b>
Projection Angle ± 3°	
	A4
	Scale: Sheet: 1 of