

Mounting Options



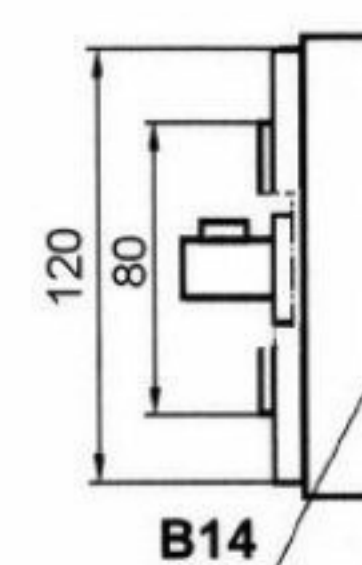
B3



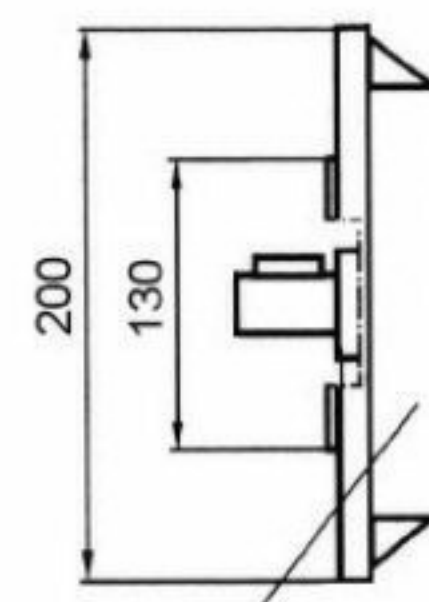
B5



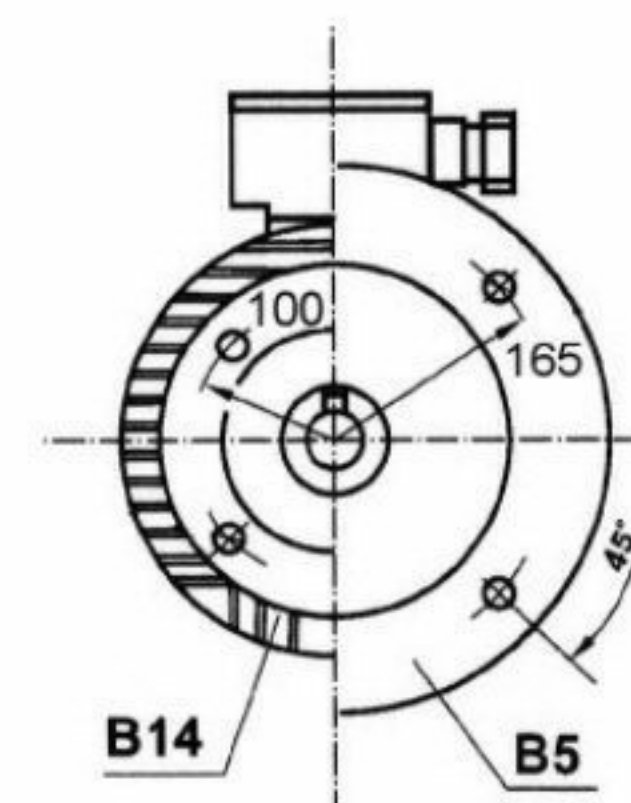
B14



B14

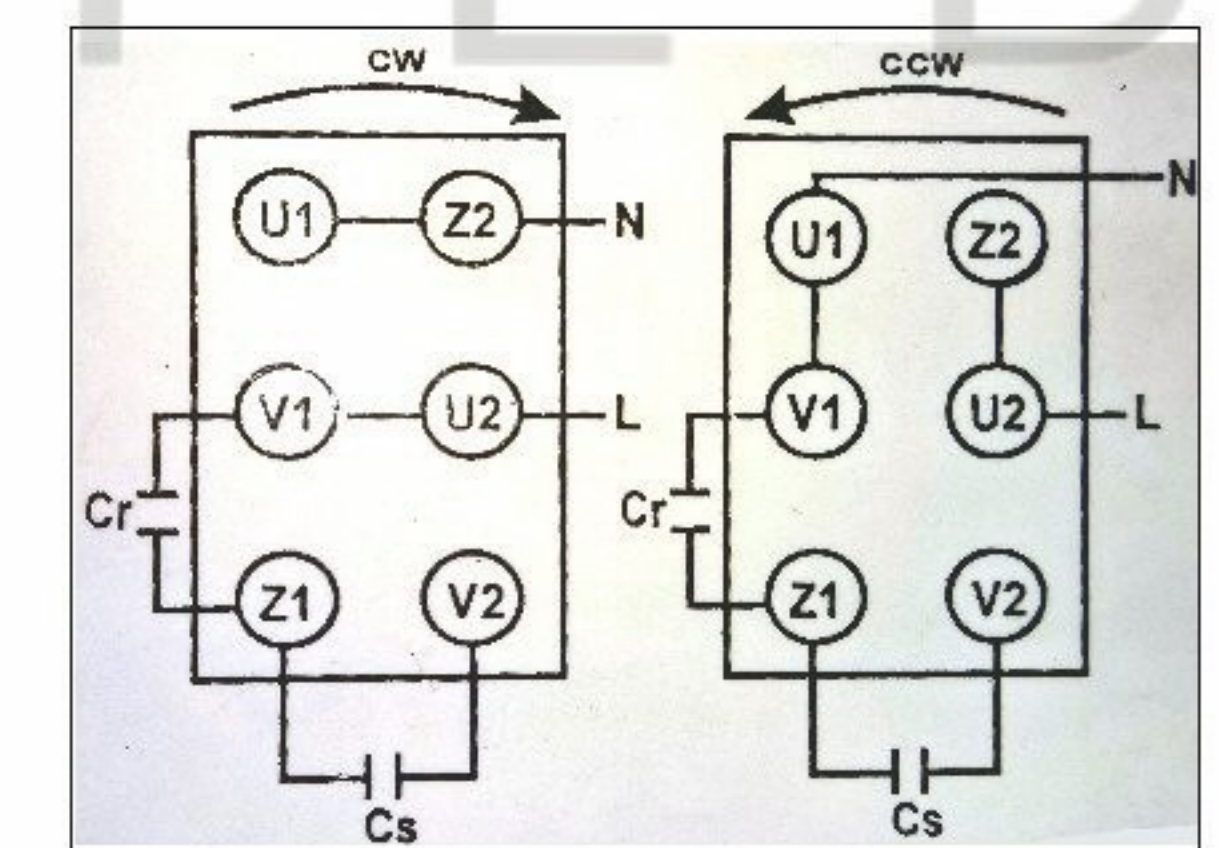


B5



B14

B5



SPECIFICATION					
Motor	IE	Speed (RPM)	1500	Bearings	Ball
Voltage (V)	240	Motor Protection	Res. Prot	Weight (Kg)	
Frequency (Hz)	50	Insulation Class	F	Junction box	Metal
Power In/Out (W)	1100	Protection Class	IP55	Aluminium Body	
Current (A)		Fan Cooled	Yes		

Motors shown are to illustrate flange types only

POLE STAR
PRODUCTS LIMITED

POLE STAR PRODUCTS LIMITED	
Product Code	90P-FM1100S-B3
Projection Angle	$\pm 3^\circ$
	A4
	Scale: Sheet: 1 of