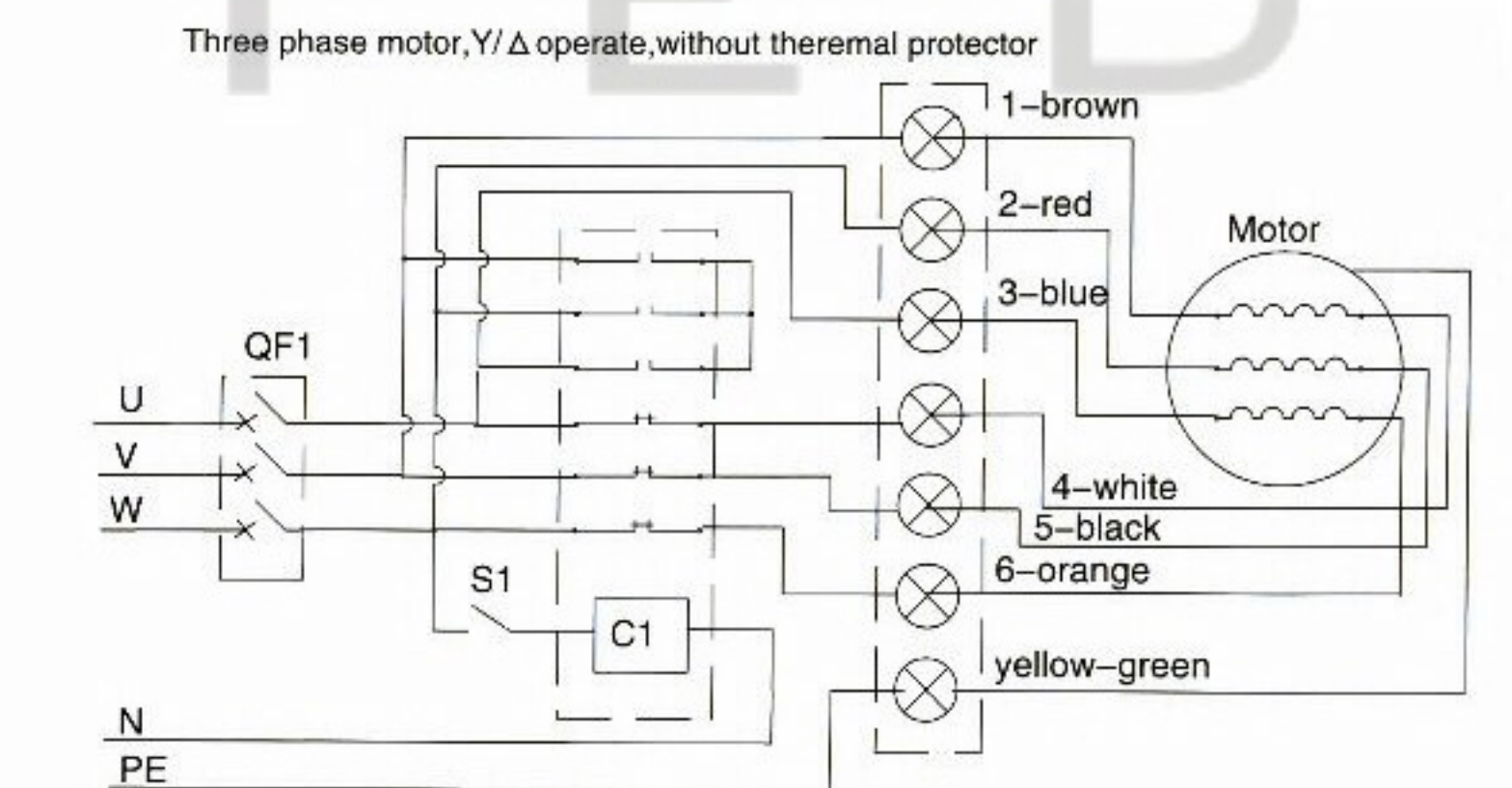


C1-Run control touch machine, connect S1, run fan.
C2-Y/Δ Control touch machine, S2 cut, Δ connection, S2 connect, Y connection.



QF1-Run control air switch, connect QF1, fan start.
C1-Y/Δ Run control touch machine, cut S1, Δ connection, connect S1; Y connection.

SPECIFICATION	Δ/Y				
Motor	3Ph	Speed (RPM)	905	Bearings	Ball
Voltage (V)	380	Motor Protection	Th. Prot	Weight (Kg)	33
Frequency (Hz)	50	Insulation Class	B	Air Volume (M³/h)	25000
Power In/Out (W)	1600	Protection Class	IP54	Noise Level (dBA)	85
Current (A)	3.5	Temp. Range	-30 +60	Capacitor (Mf)	N/A

All measurements shown in mm

POLE STAR PRODUCTS LIMITED

Product Code
PMA3-900S6-2A

Projection Angle ± 3° A4
Scale: Sheet: 1 of

POLE STAR
PRODUCTS LIMITED