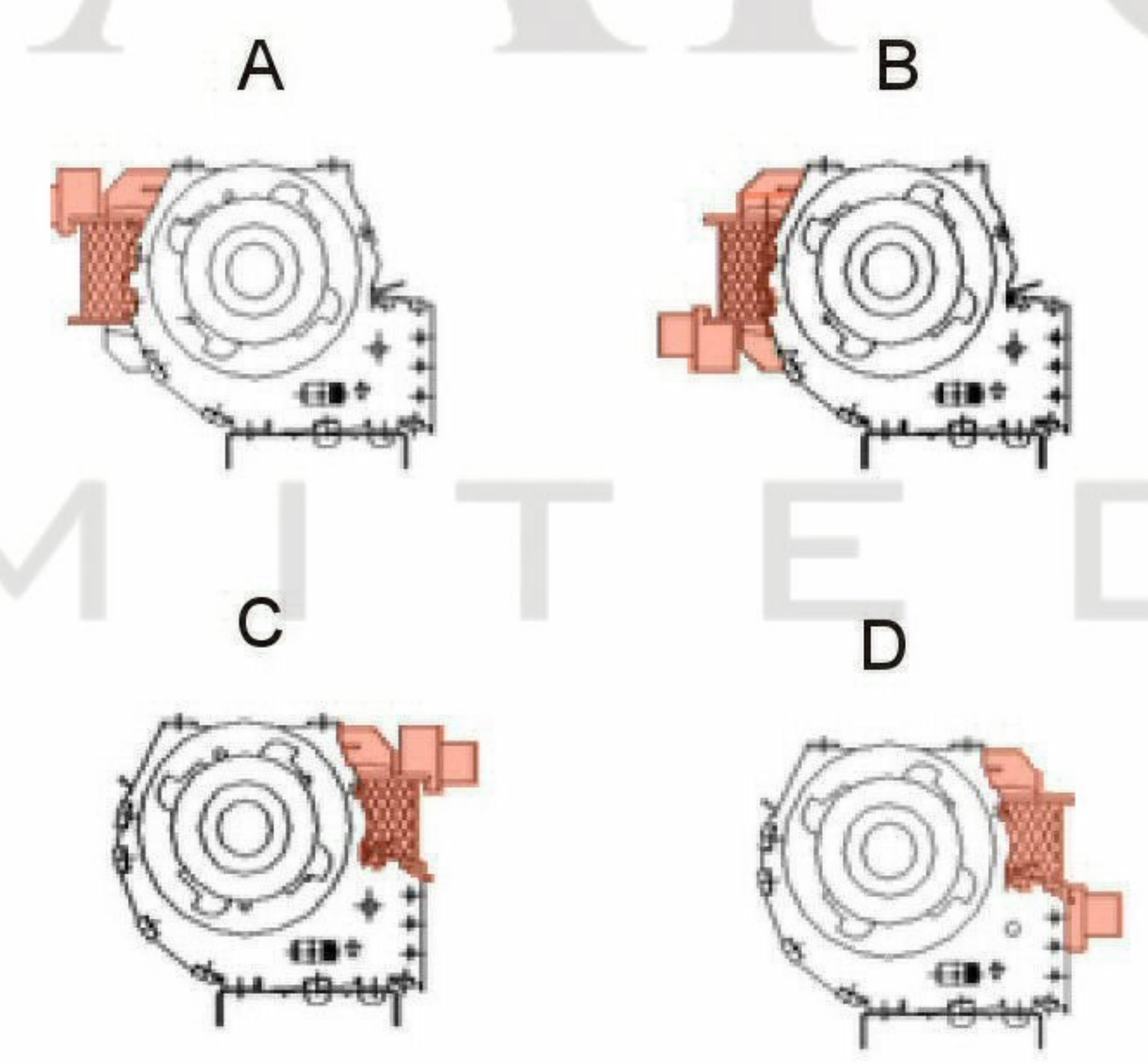


Fan Motor Mounting Positions



SPECIFICATION					
Motor	SP	Speed (RPM)	900	Bearings	Sleeve
Voltage (V)	230/240	Motor Protection	Imp.Prot	Weight (Kg)	2.8
Frequency (Hz)	50	Insulation Class	F	Air Volume (M ³ /h)	370
Power In/Out (W)	45	Protection Class	IP20	Noise Level (dBA)	
Current (A)		Capacitor (Mf)	N/A	Pressure (Pa)	48

POLE STAR
PRODUCTS LIMITED

POLE STAR PRODUCTS LIMITED	
Product Code	TAD24/18
Projection Angle	± 3°
	A4
	Scale:
	Sheet: 1 of