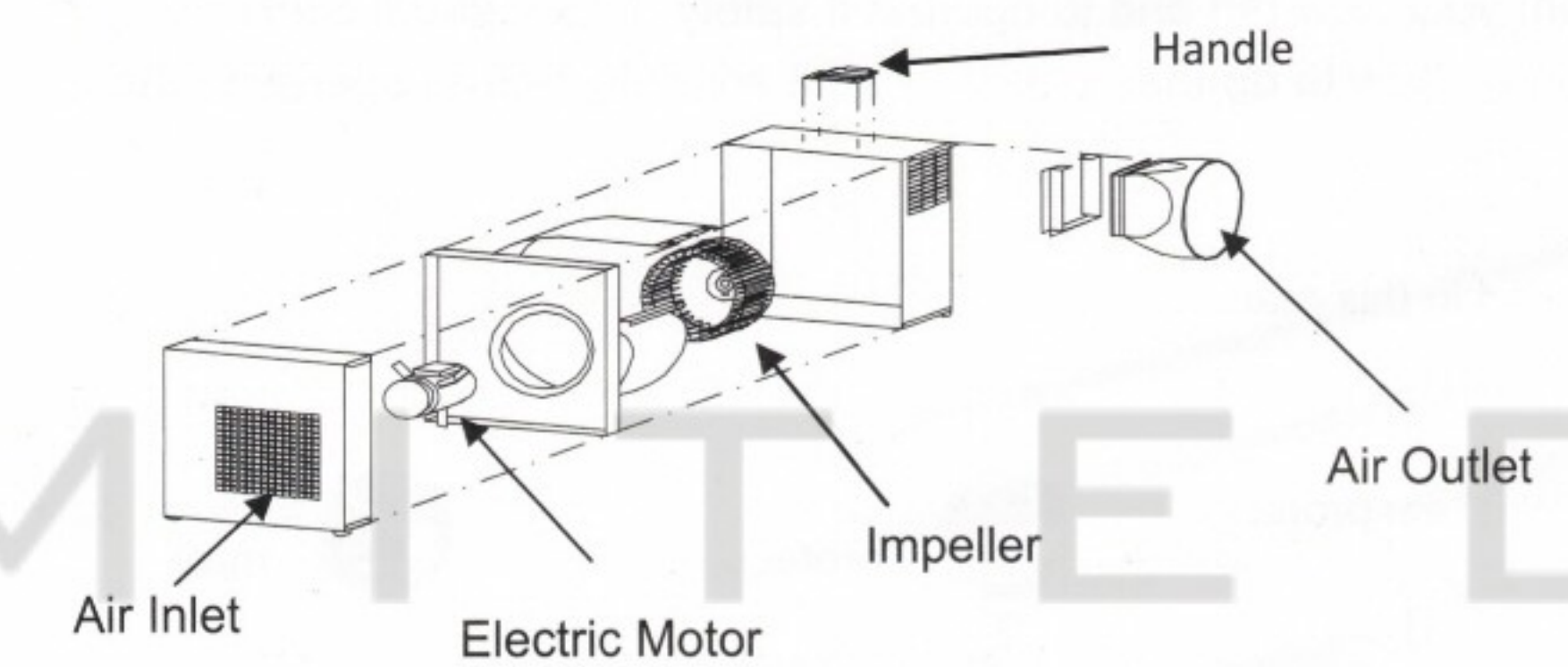


Standard plug

1100W FAN BLOWER
Ref no. FF-1.1-230-50

INSTRUCTION MANUAL

SAVE THESE INSTRUCTIONS AND PRECAUTIONS.
READ ALL PRECAUTIONS AND INSTRUCTIONS BEFORE USE.



1. The air outlet used for connecting to inflatable objects, and the diameter of air outlet is 210mm
2. Cut off the power before moving or checking the machine.
3. The fan is protected by automatic thermal overload protection contact. By overheating of the motor it will switch off the motor, and will restart automatically.
4. Before using the machine, pls check whether the power socket is grounded.
5. Once connect to the electric power (230V/50Hz), the machine start working automatically.

SPECIFICATION

Motor		RPM	2800	Bearings	Ball
Voltage (V)	220/240	Motor Protection	Th.Prot.	Weight (Kg)	17.2
Frequency (Hz)	50	Insulation Class	B	Noise dB(A)	
Power In/Out (W)	1100 (1.5HP)	Protection Class	IP44	Max Airflow (M3/h)	1784
Current (A)	6.9 max			Max Pressure (pa)	1750

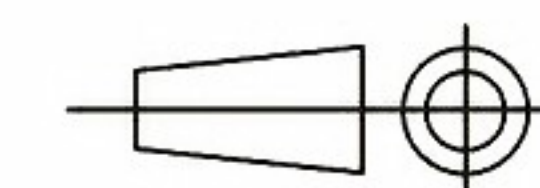
POLE STAR
PRODUCTS LIMITED

POLE STAR PRODUCTS LIMITED

Product Code

PSIB1-1.5HP

Projection Angle
± 3°



A4

Scale:
Sheet: 1 of