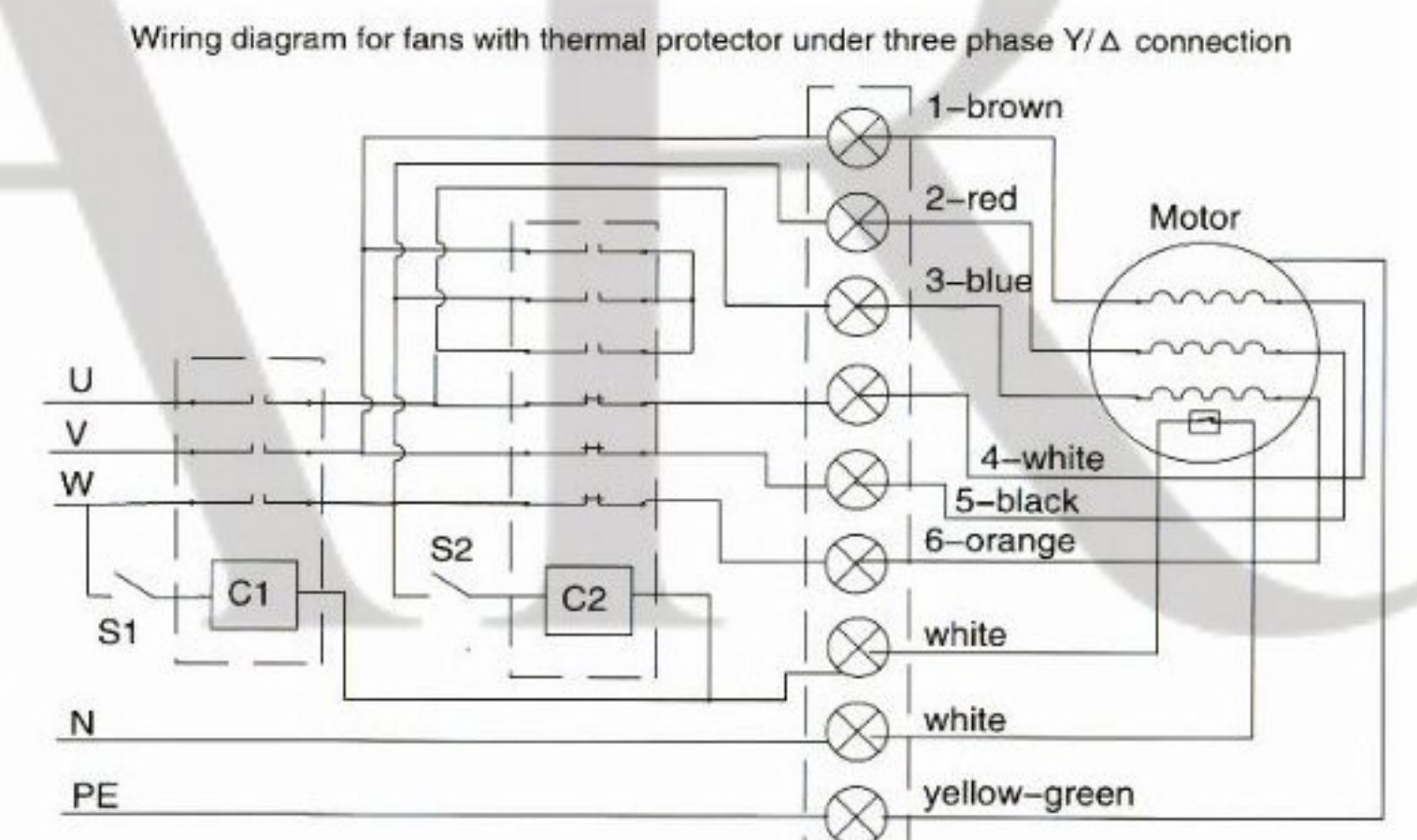
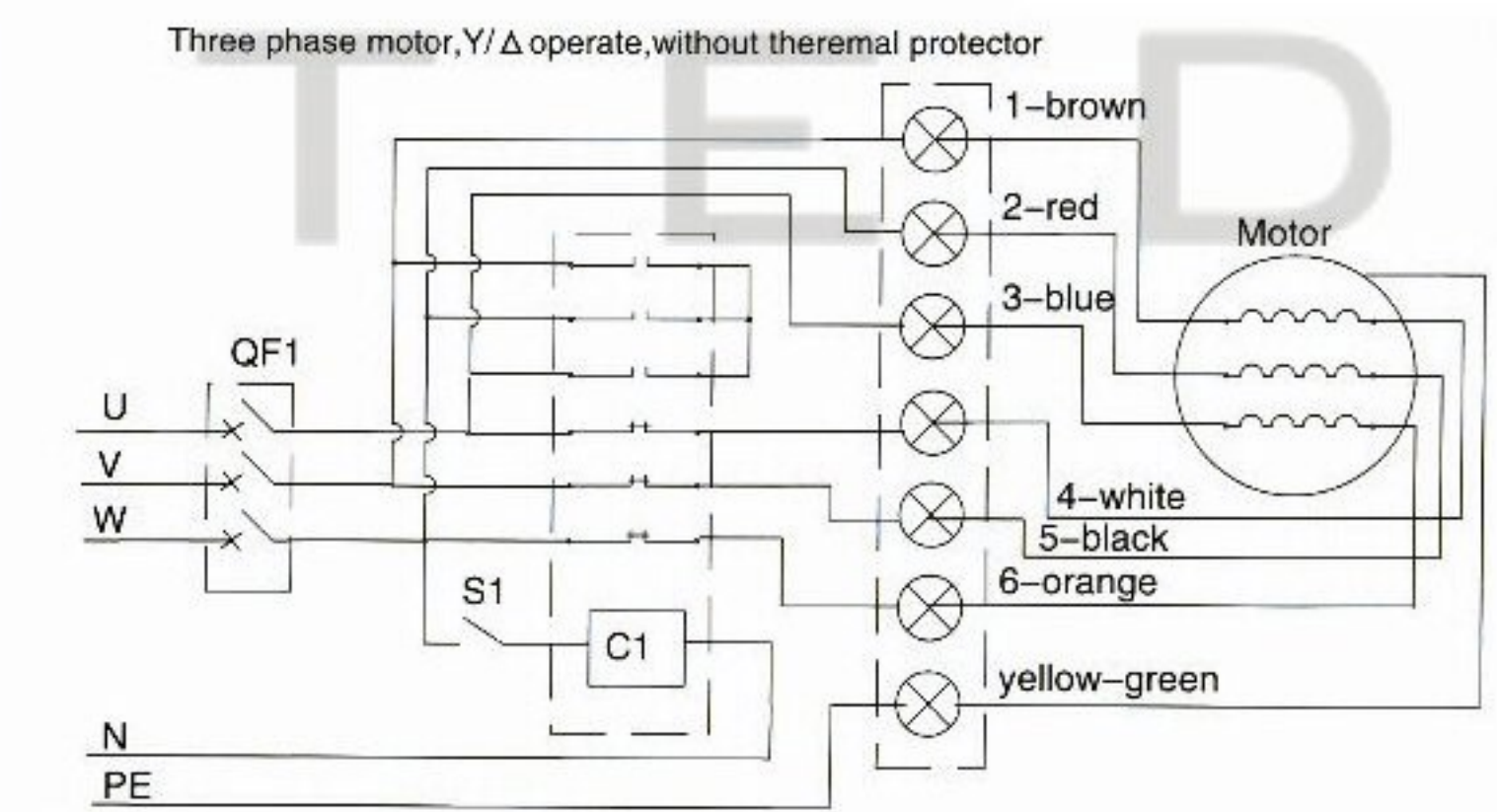


Energy Data

Psf	$\eta_{sf}$	EFF. Grade
139	20.80	24.8



C1-Run control touch machine, connect S1, run fan.  
C2-Y/Δ Control touch machine, S2 cut, Δ connection; S2 connect, Y connection.



QF1-Run control air switch, connect QF1, fan start.  
C1-Y/Δ Run control touch machine, cut S1, Δ connection, connect S1, Y connection.

SPECIFICATION					
Motor	3ph	Speed (RPM)	1350	Bearings	Ball
Voltage (V)	3~400	Motor Protection	Th.Prot.	Weight (Kg)	31
Frequency (Hz)	50	Insulation Class	F	Noise dB(A)	84
Power In/Out (W)	2400	Protection Class	IP54		-40~+60
Current (A)	4.45				

**POLE STAR**  
PRODUCTS LIMITED

POLE STAR PRODUCTS LIMITED	
Product Code <b>PMA3-710S4-1</b>	
Projection Angle ± 3°	
	A4 Scale: Sheet: 1 of