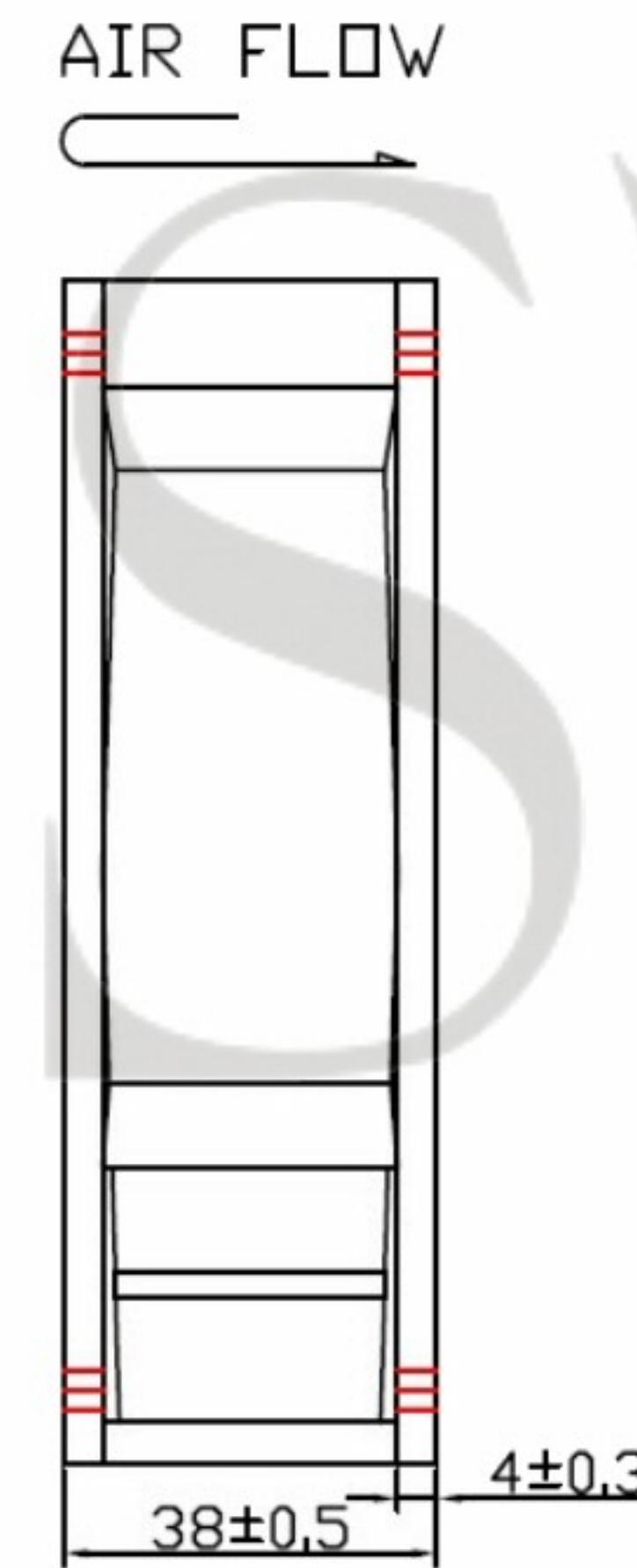
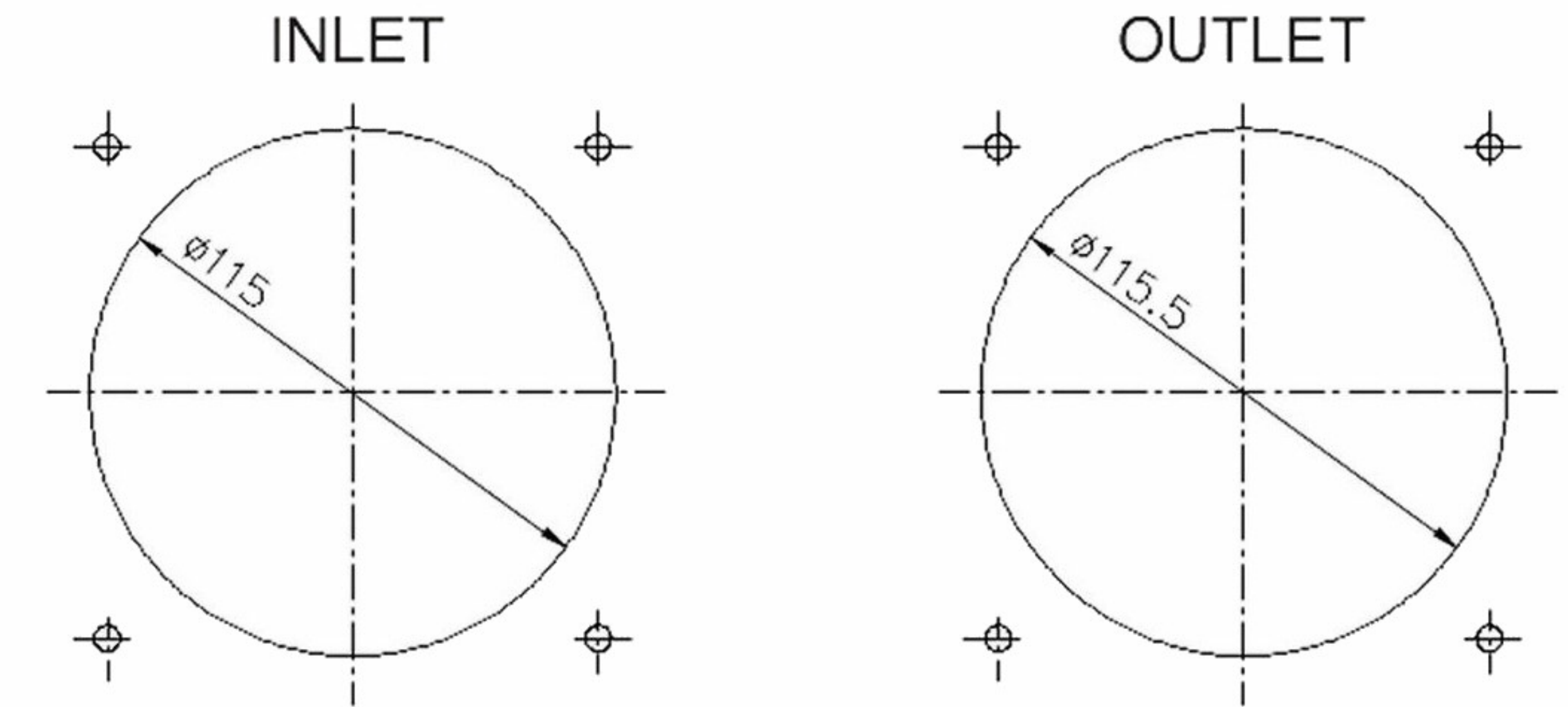


UL1007 22#,350±10mm



1. Rated voltage: 230V
2. Speed: 2600RPM±10%
3. Rated current: 0.12A
4. Power:26W
5. Air Flow:110 CFM
6. Air Pressure:0.32 IN H<sub>2</sub>O
7. Noise:48 DB
8. Two Ball bearing
9. LEAD WIRE UL1007#22AWG OR EQUIVALENT

Wiring Details

Clockwise	Anti-Clockwise
White - Live	White - Not Connected
Black - Neutral	Black - Live
Red - Not Connected	Red - Neutral

SPECIFICATION					
Motor	EC	Speed (RPM)	2600	Bearings	Ball
Voltage (V)	230	Motor Protection	Th.Prot.		
Frequency (Hz)	50	Insulation Class	B		
Power In/Out (W)	26	Protection Class	IP68		
Current (A)	0.12				

**POLE STAR**  
PRODUCTS LIMITED

POLE STAR PRODUCTS LIMITED	
Product Code	<b>PS1238BL-R2</b>
Projection Angle ± 3°	A4
	Scale: Sheet: 1 of