

Pole Star Products Ltd.

105FB55/6V -**
 55W 0.7A 50Hz
 220-240V 1100RPM
 Capacitor: 2.5Mf
 Cl: B Therm. Prot.

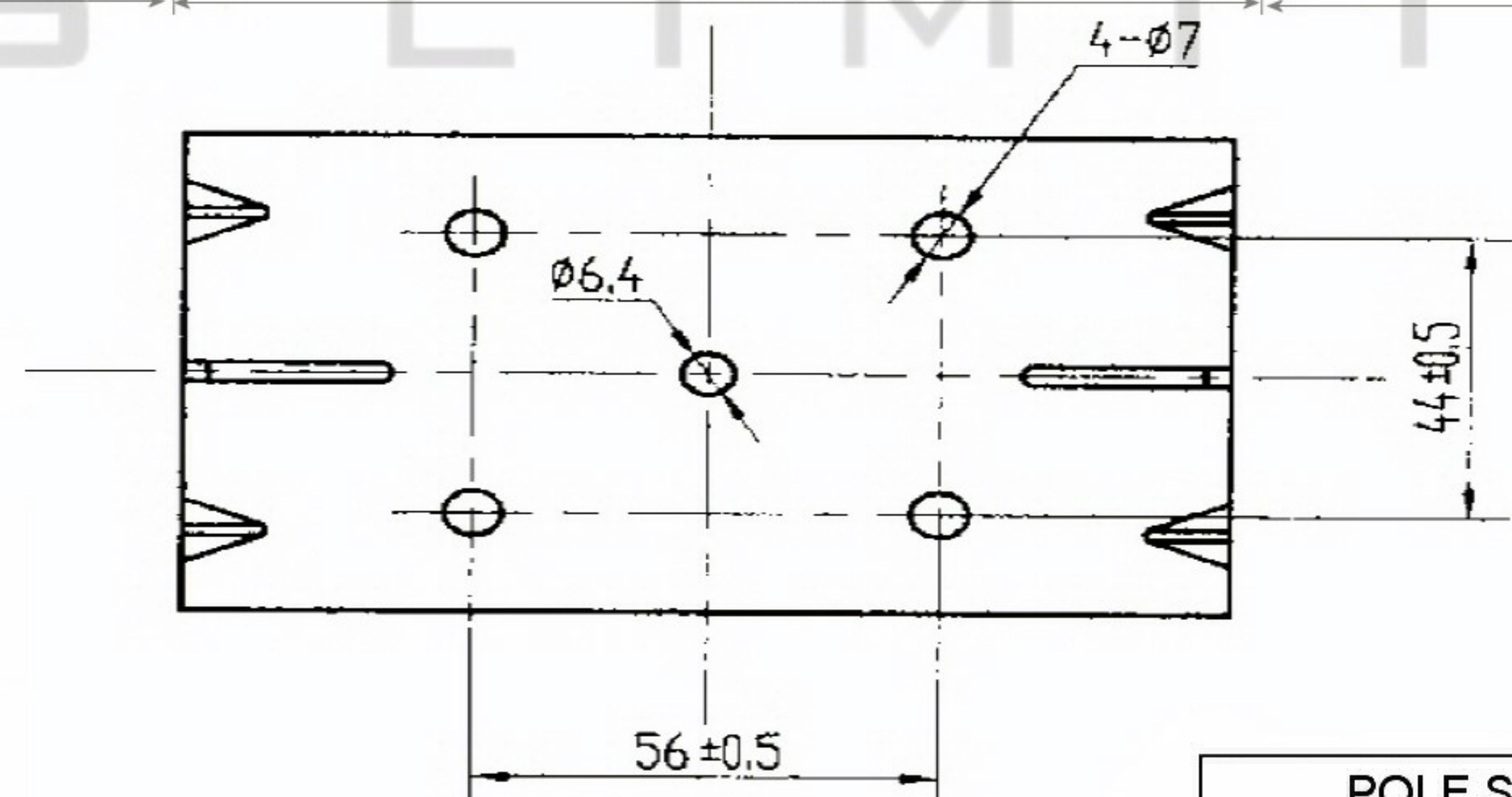
ROTATION →

CE

| | |
|--------------|---|
| WHITE (N) | → |
| BLACK (HIGH) | → |
| GREY | → |
| BLUE | → |
| ORANGE | → |
| BROWN | → |
| RED (LOW) | → |
| YELLOW | → |
| YELLOW | → |
| EARTH | → |

M

4-Ø7



| SPECIFICATION | | | | | |
|------------------|---------|------------------|-----------|--------------------------------|------|
| Motor | PSC | Speed (RPM) | 1100 | Bearings | BALL |
| Voltage (V) | 220/240 | Motor Protection | Th. Prot. | Weight (Kg) | |
| Frequency (Hz) | 50 | Insulation Class | B | Air Volume (M ³ /h) | |
| Power In/Out (W) | 55 | Protection Class | IP44 | Noise Level (dBA) | |
| Current (A) | 0.7 | Capacitor (mf) | 2.5 | Pressure (Pa) | |

POLE STAR
 PRODUCTS LIMITED

POLE STAR PRODUCTS LIMITED

Product Code
105FB55/6V-5

Projection Angle ± 3°

A4
 Scale:
 Sheet: 1 of