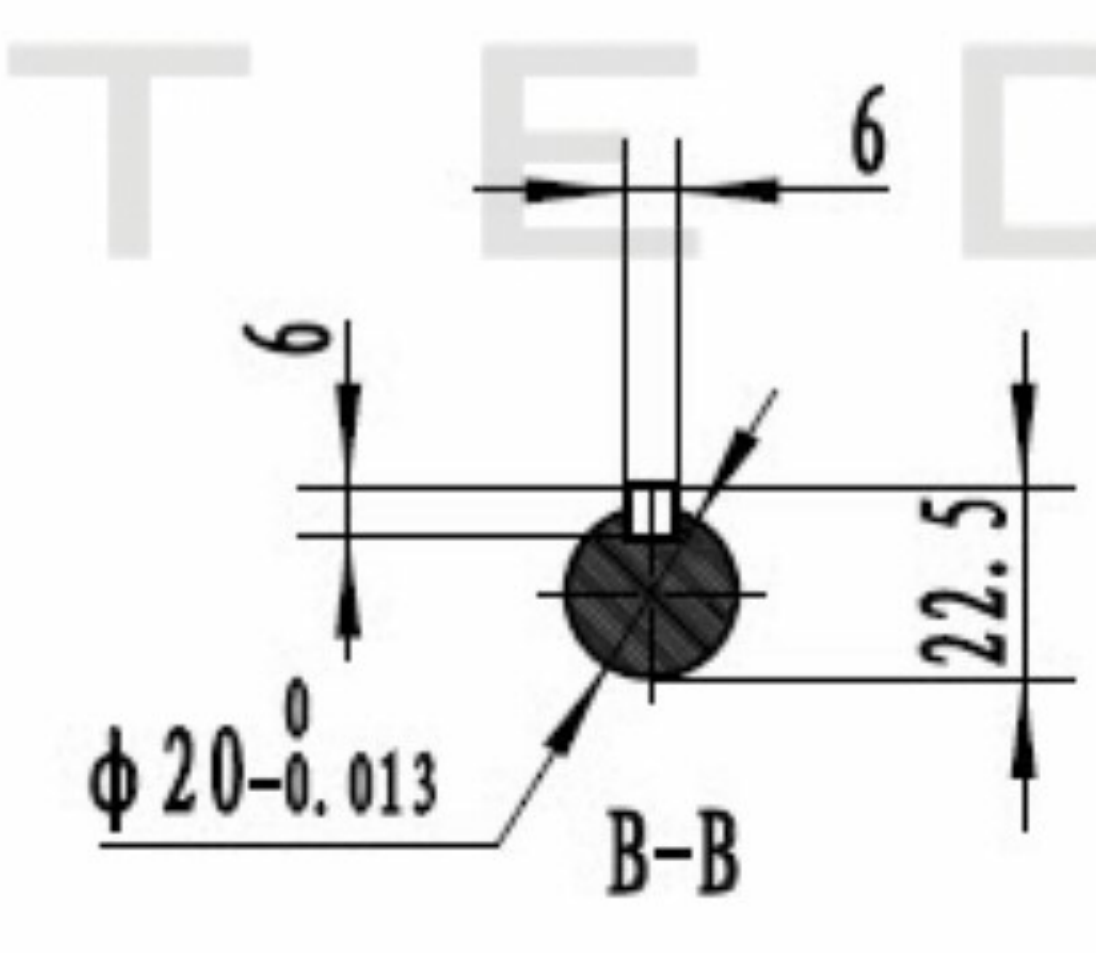
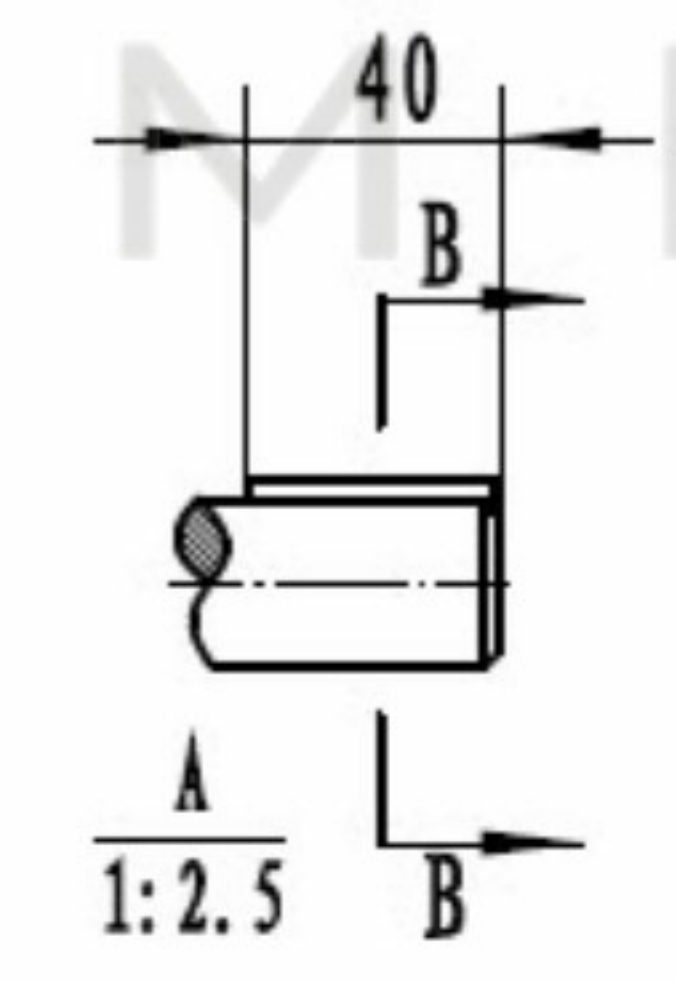
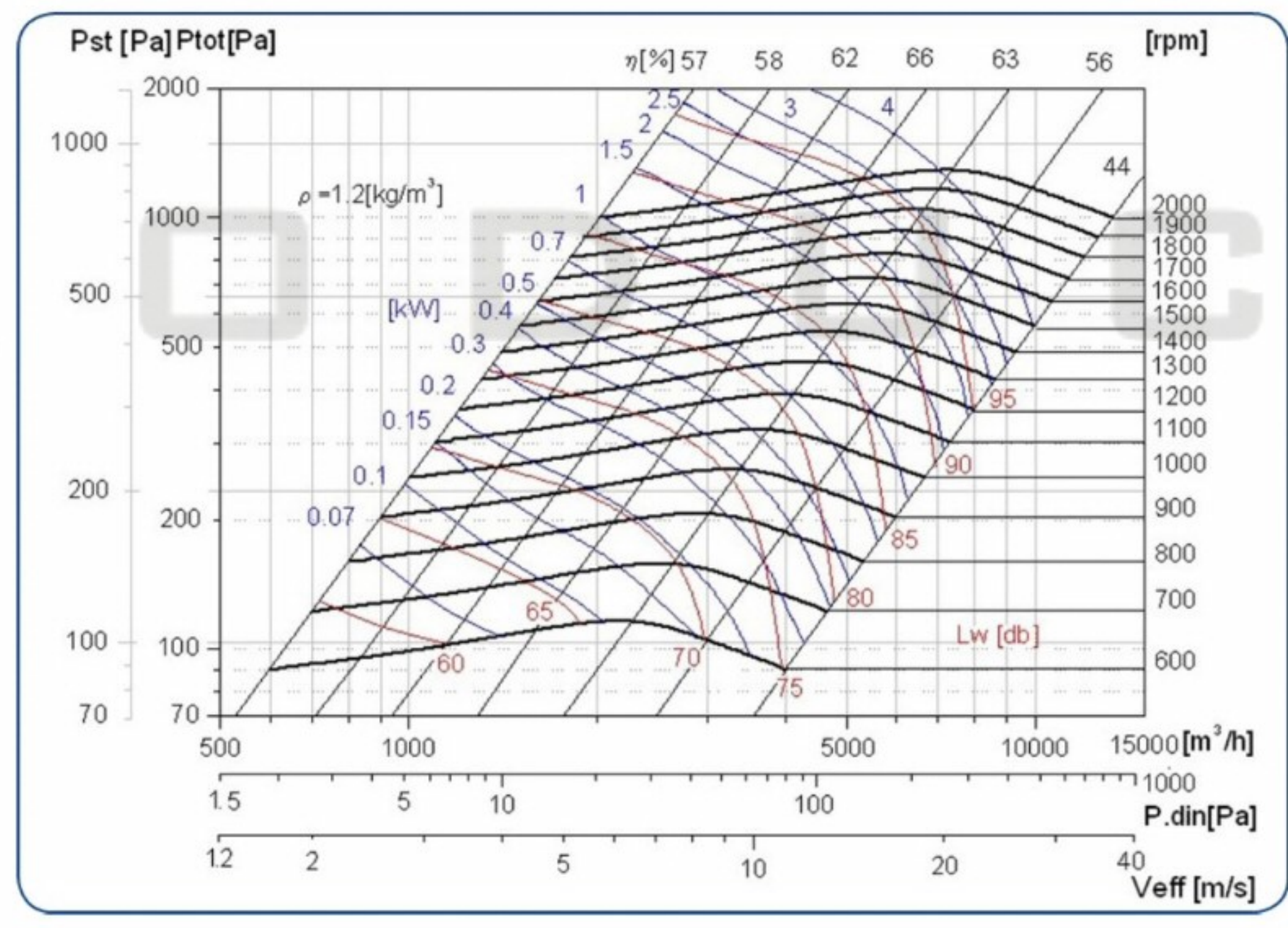


10/10 TEST



SPECIFICATION

| MODEL | CODE       | IMPELLER DIMENSION mm | N° BLADES | MOTOR POWER MAX Kw | RPM MAX | Kg  |
|-------|------------|-----------------------|-----------|--------------------|---------|-----|
| 10/10 | DTA.1010.S | 280X270               | 42        | 4                  | 2000    | 9.8 |

**POLE STAR**  
PRODUCTS LIMITED

|                            |                    |
|----------------------------|--------------------|
| POLE STAR PRODUCTS LIMITED |                    |
| Product Code               | <b>DTA10/10</b>    |
| Projection Angle ± 3°      |                    |
|                            | A4                 |
|                            | Scale: Sheet: 1 of |