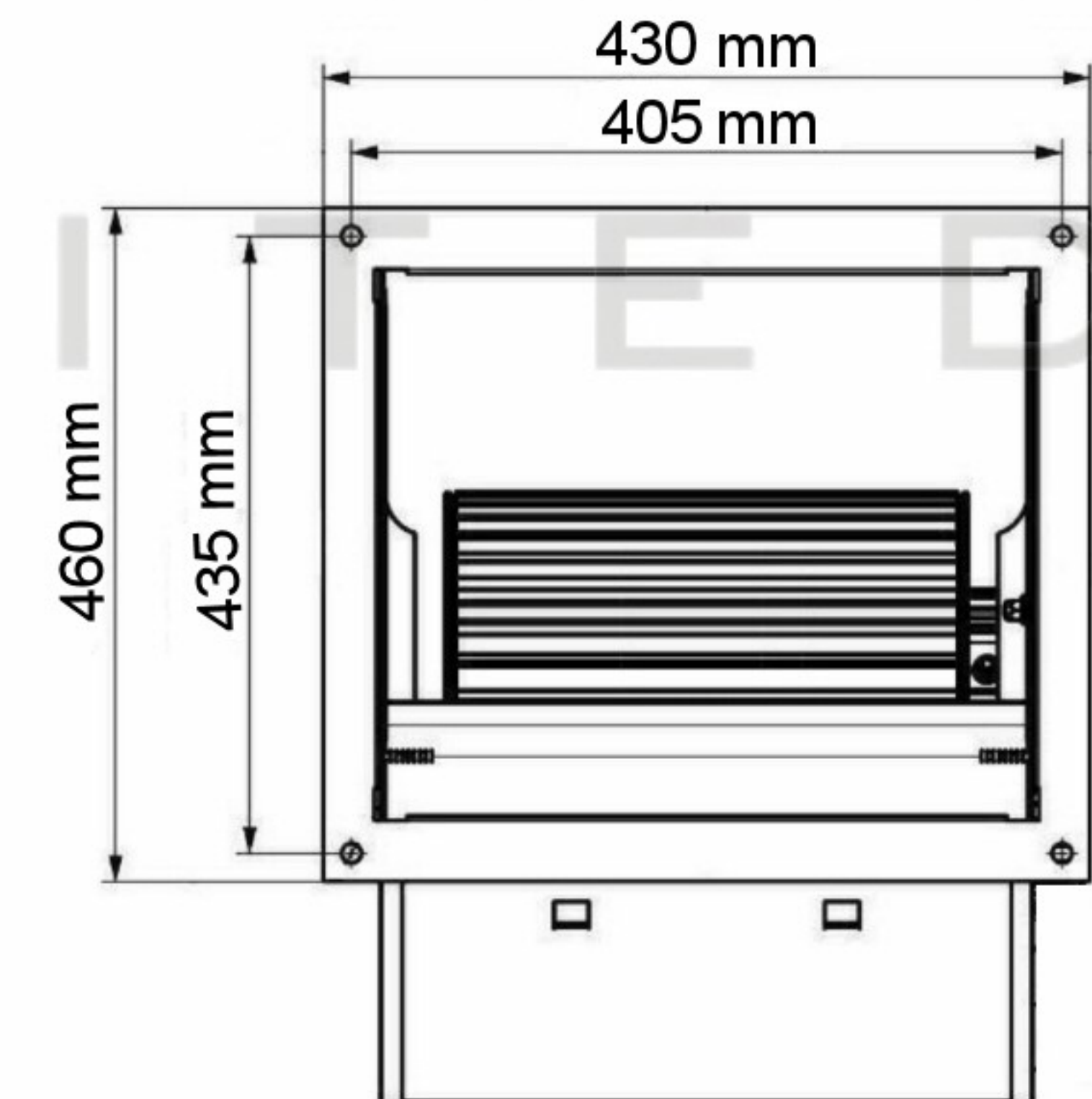
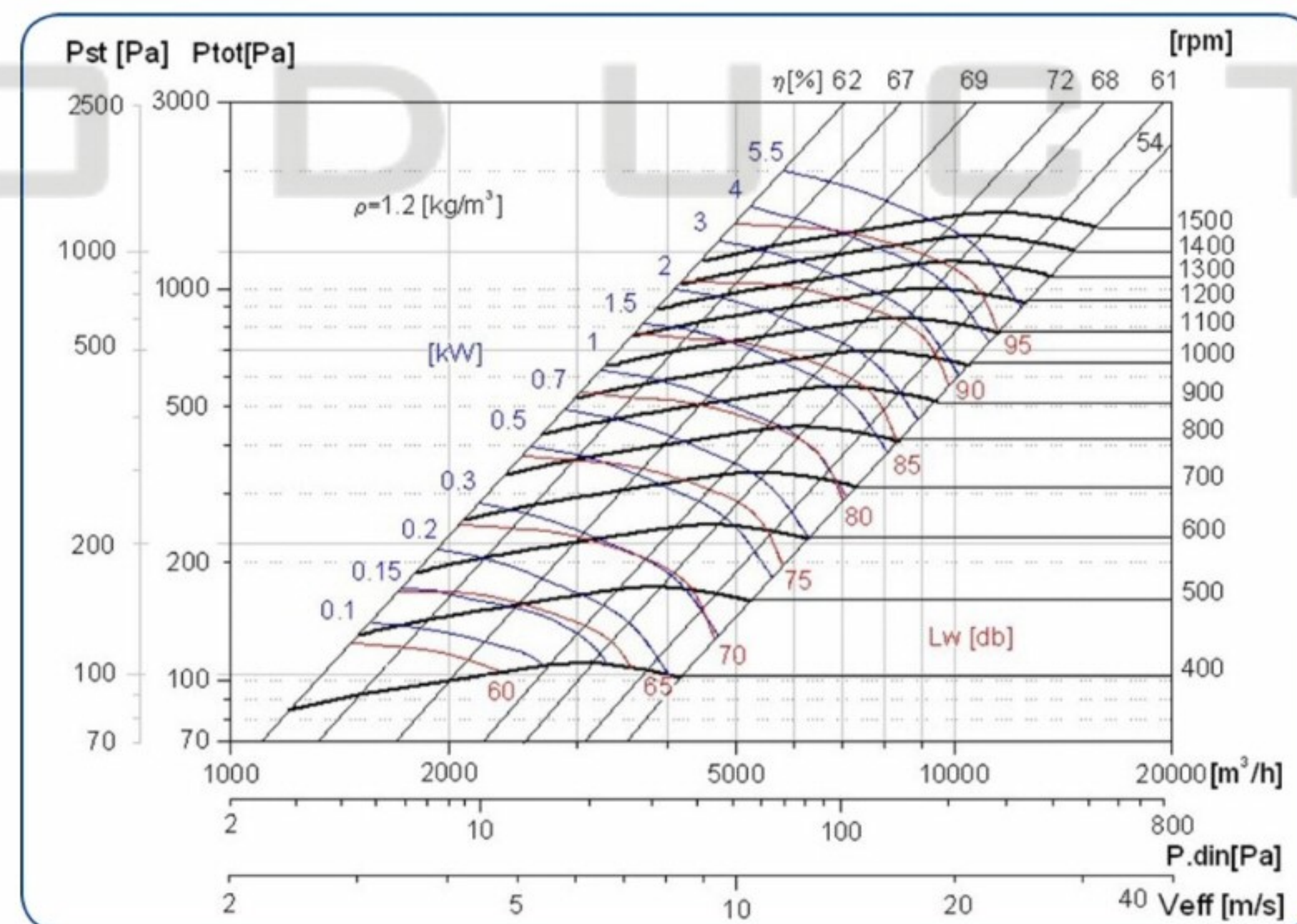


OPTIONAL EXTRA - FLANGE



15/11 TEST



SPECIFICATION

MODEL	CODE	IMPELLER DIMENSION mm	N° BLADES	MOTOR POWER MAX Kw	RPM MAX	Kg
15/11	DTA.1511.S	400X292	38	5.5	2000	18.4

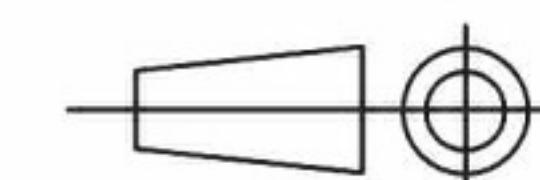
POLE STAR
PRODUCTS LIMITED

POLE STAR PRODUCTS LIMITED

Product Code

DTA15/11

Projection Angle
± 3°



A4
Scale:
Sheet: 1 of