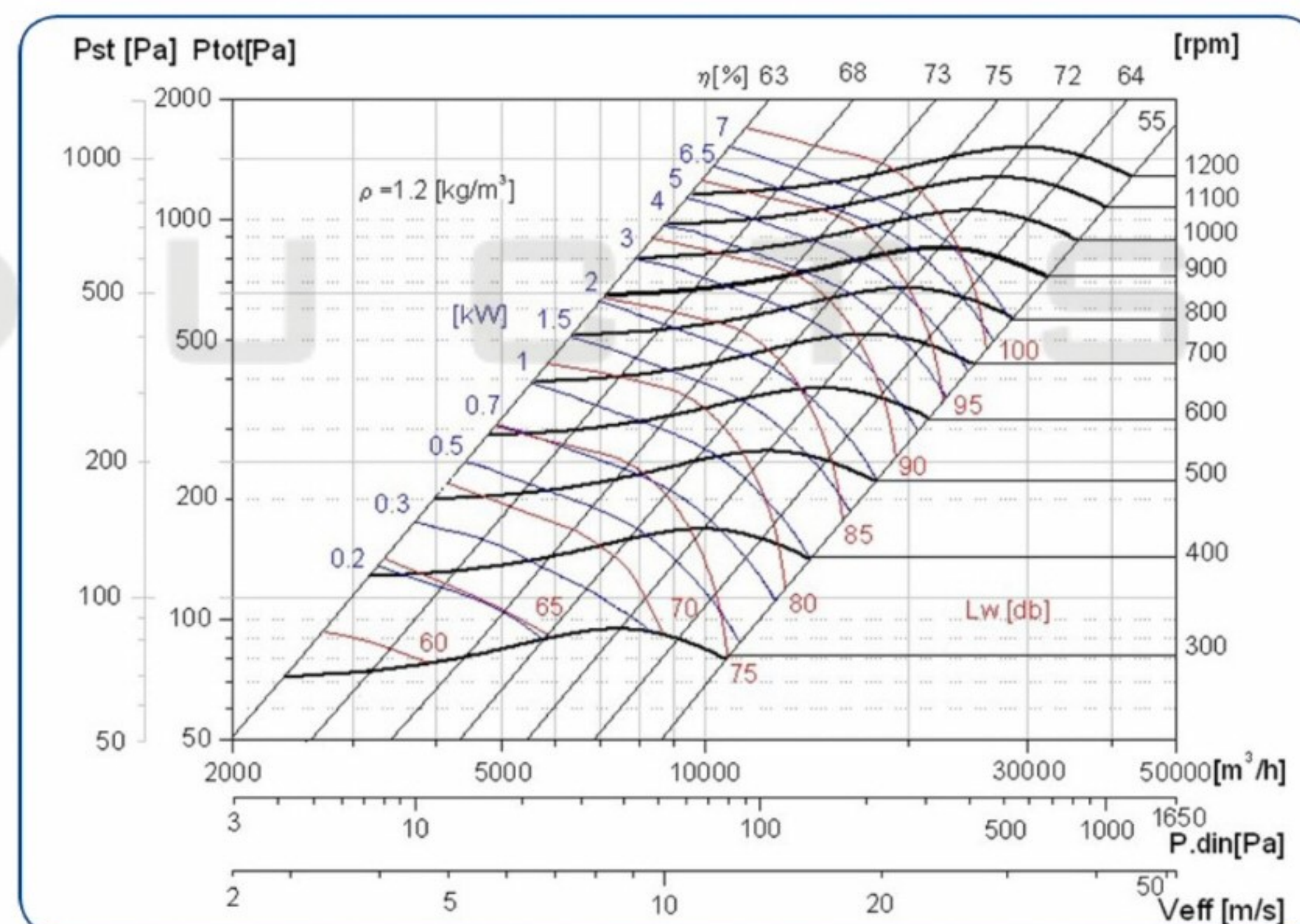
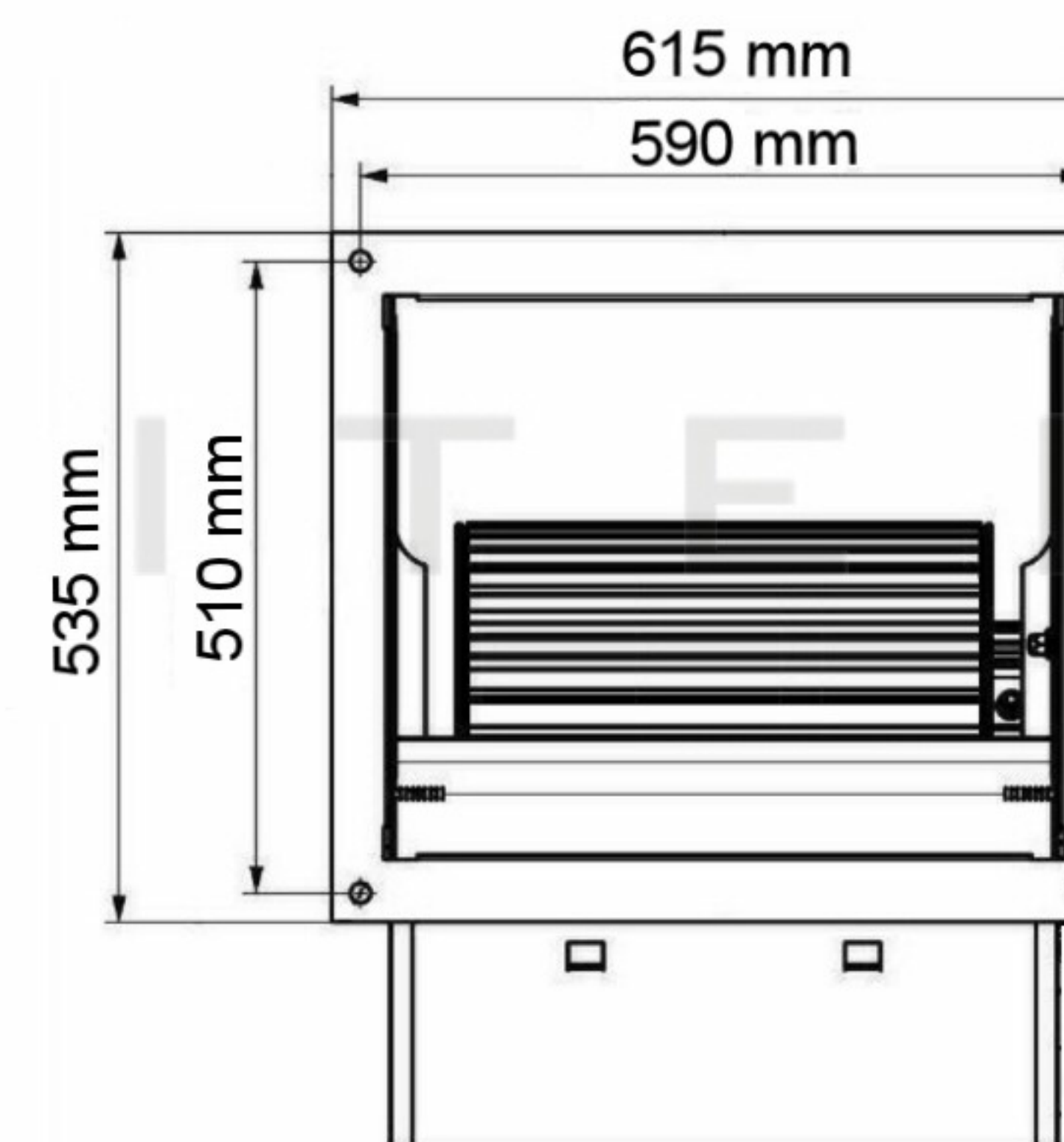


OPTIONAL EXTRA - FLANGE



SPECIFICATION

MODEL	CODE	IMPELLER DIMENSION mm	N° BLADES	MOTOR POWER MAX Kw	RPM MAX	Kg
18/18	DTA.1818.S	450X456	42	7.5	1100	33.3

POLE STAR
PRODUCTS LIMITED

POLE STAR PRODUCTS LIMITED

Product Code

DTA18/18

Projection Angle ± 3°



A4

Scale:
Sheet: 1 of