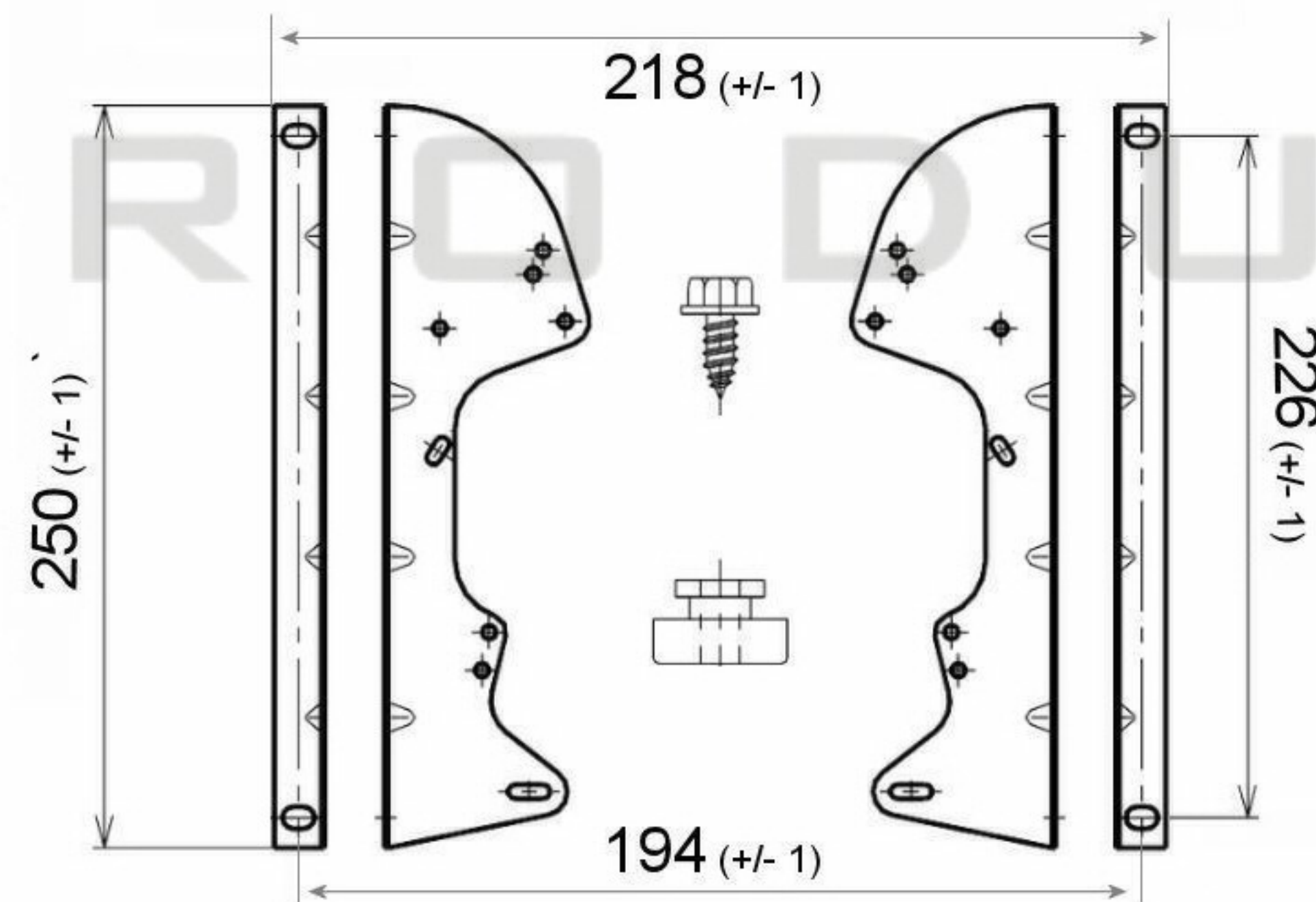
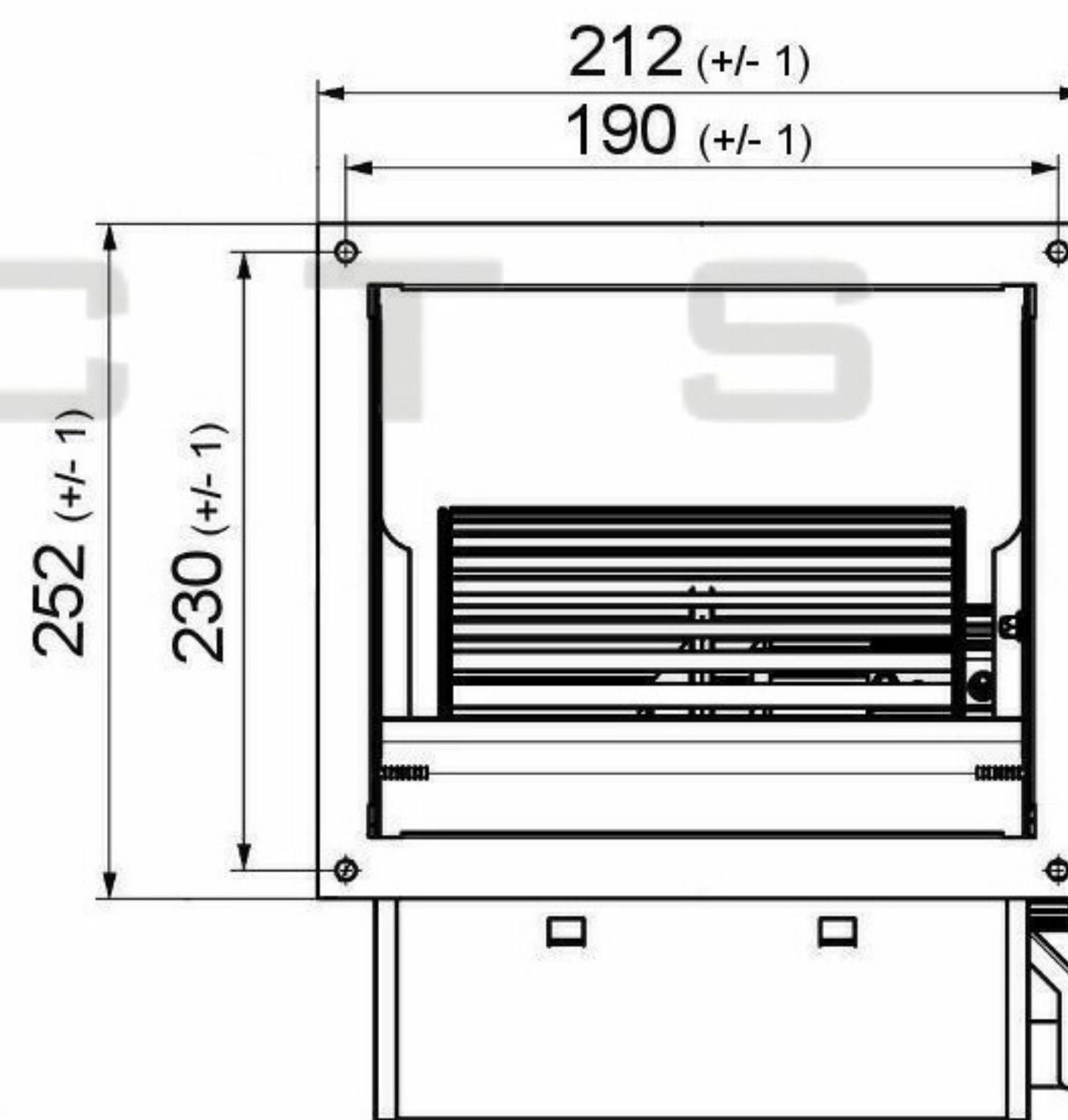


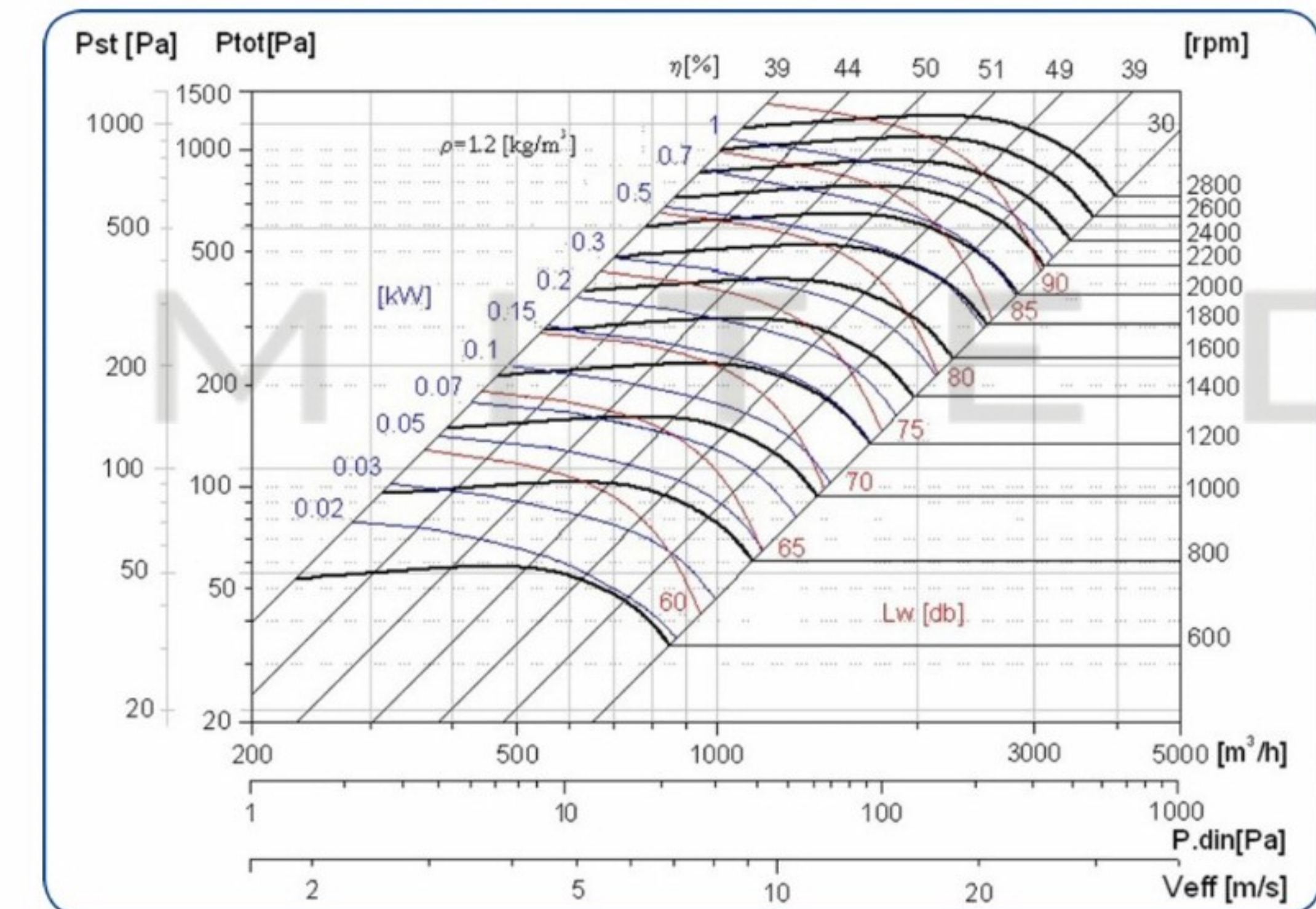
Accessories - DD7F (Mounting Feet)



Accessories - DDF7/5 (Flange)



7/5 TEST



SPECIFICATION

MODEL	CODE	IMPELLER DIMENSION mm	N° BLADES	MOTOR POWER MAX Kw	RPM MAX	Kg
7/5	DTA.75.S	200X120	42	3	2600	4.5

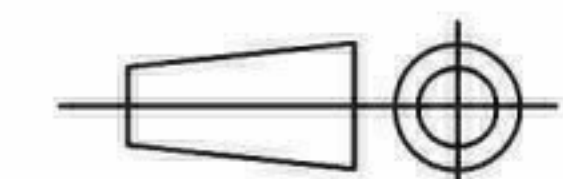
POLE STAR
PRODUCTS LIMITED

POLE STAR PRODUCTS LIMITED

Product Code

DTA7/5

Projection Angle ± 3°



A4
Scale:
Sheet: 1 of