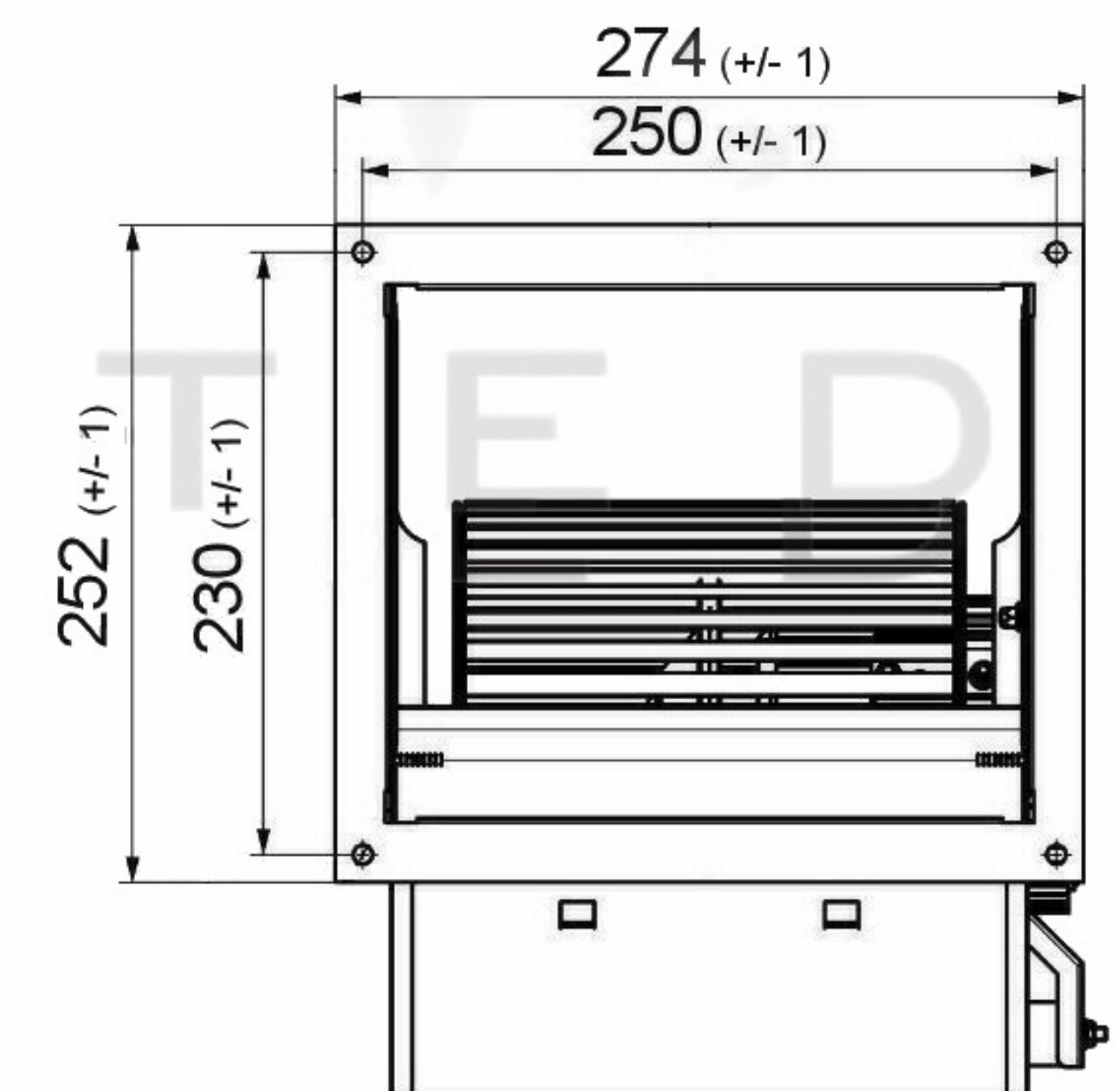
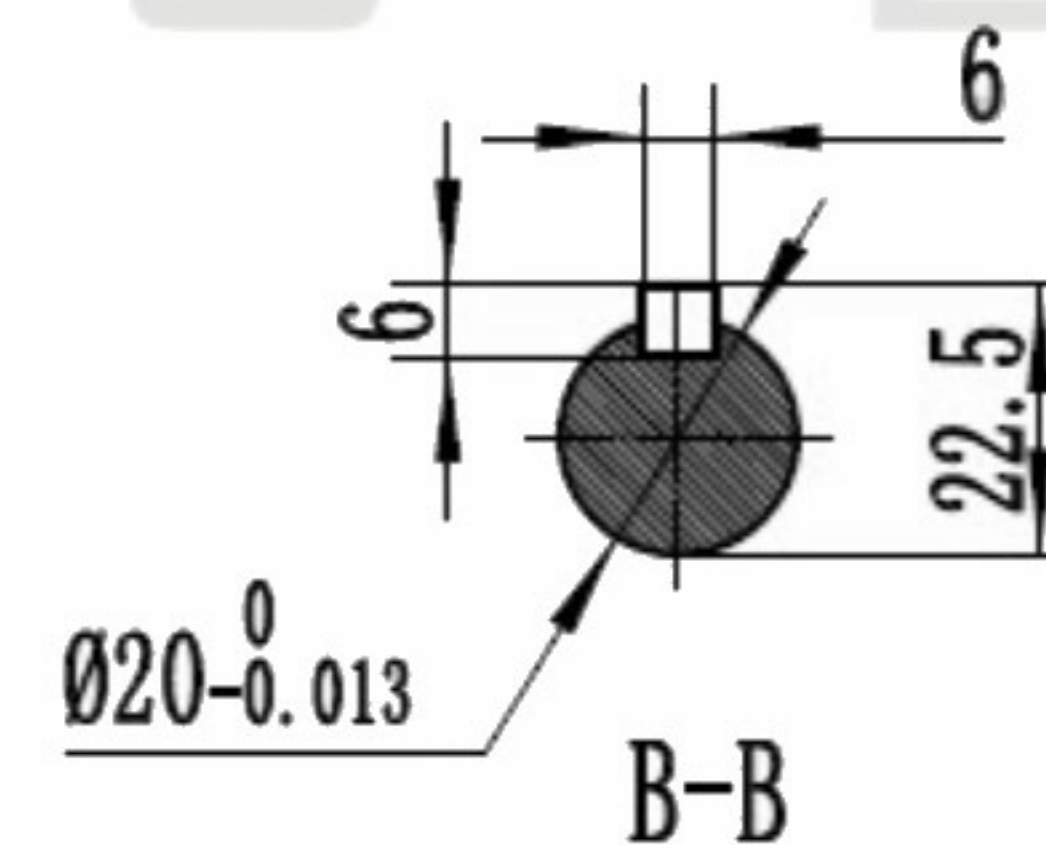
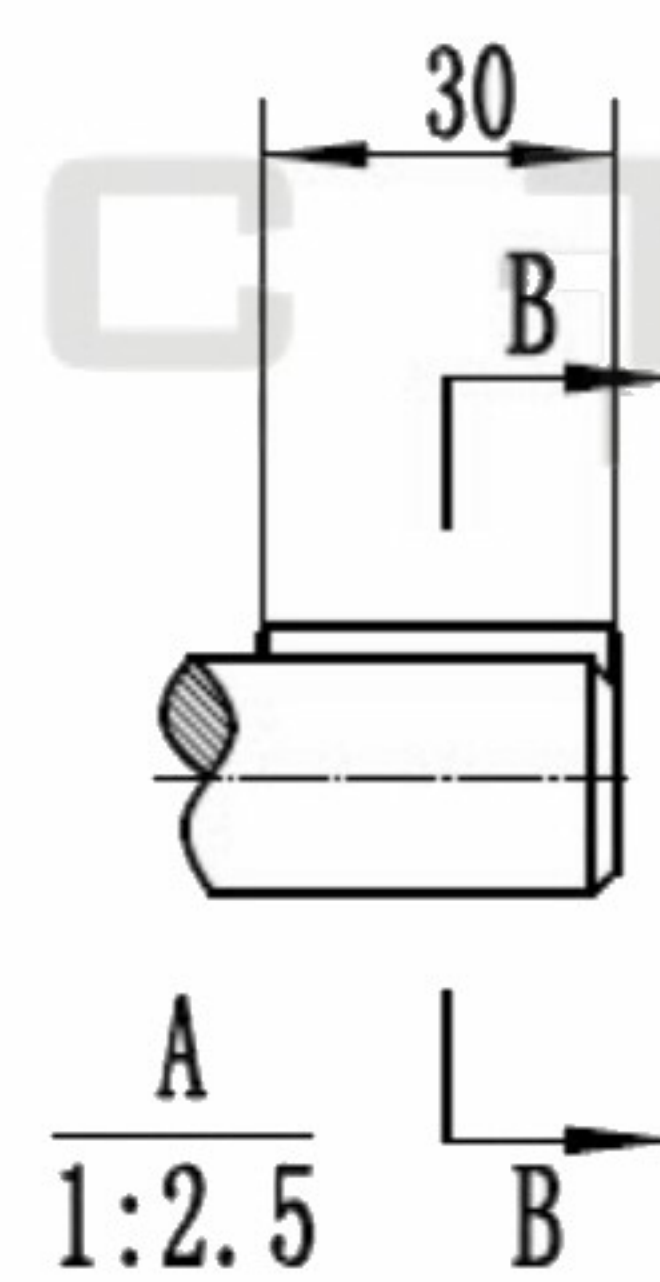
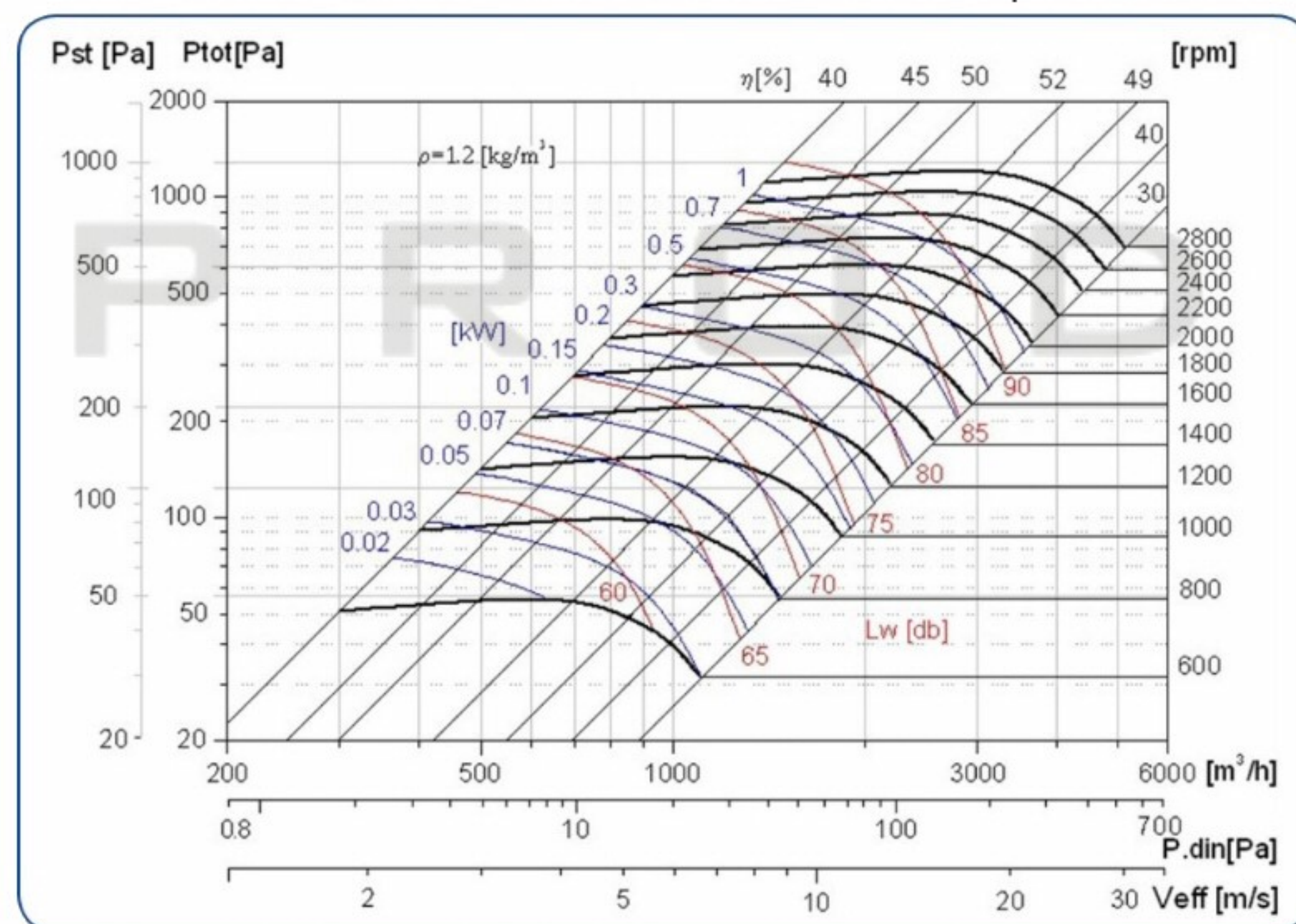


OPTIONAL EXTRA - FLANGE



7/7 TEST



SPECIFICATION

MODEL	CODE	IMPELLER DIMENSION mm	N° BLADES	MOTOR POWER MAX Kw	RPM MAX	Kg
7/7	DTA.77.S	200X183	42	3	2600	5.5

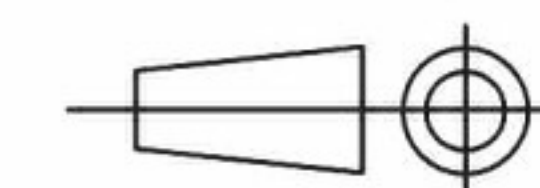
POLE STAR
PRODUCTS LIMITED

POLE STAR PRODUCTS LIMITED

Product Code

DTA7/7

Projection Angle ± 3°



A4
Scale:
Sheet: 1 of