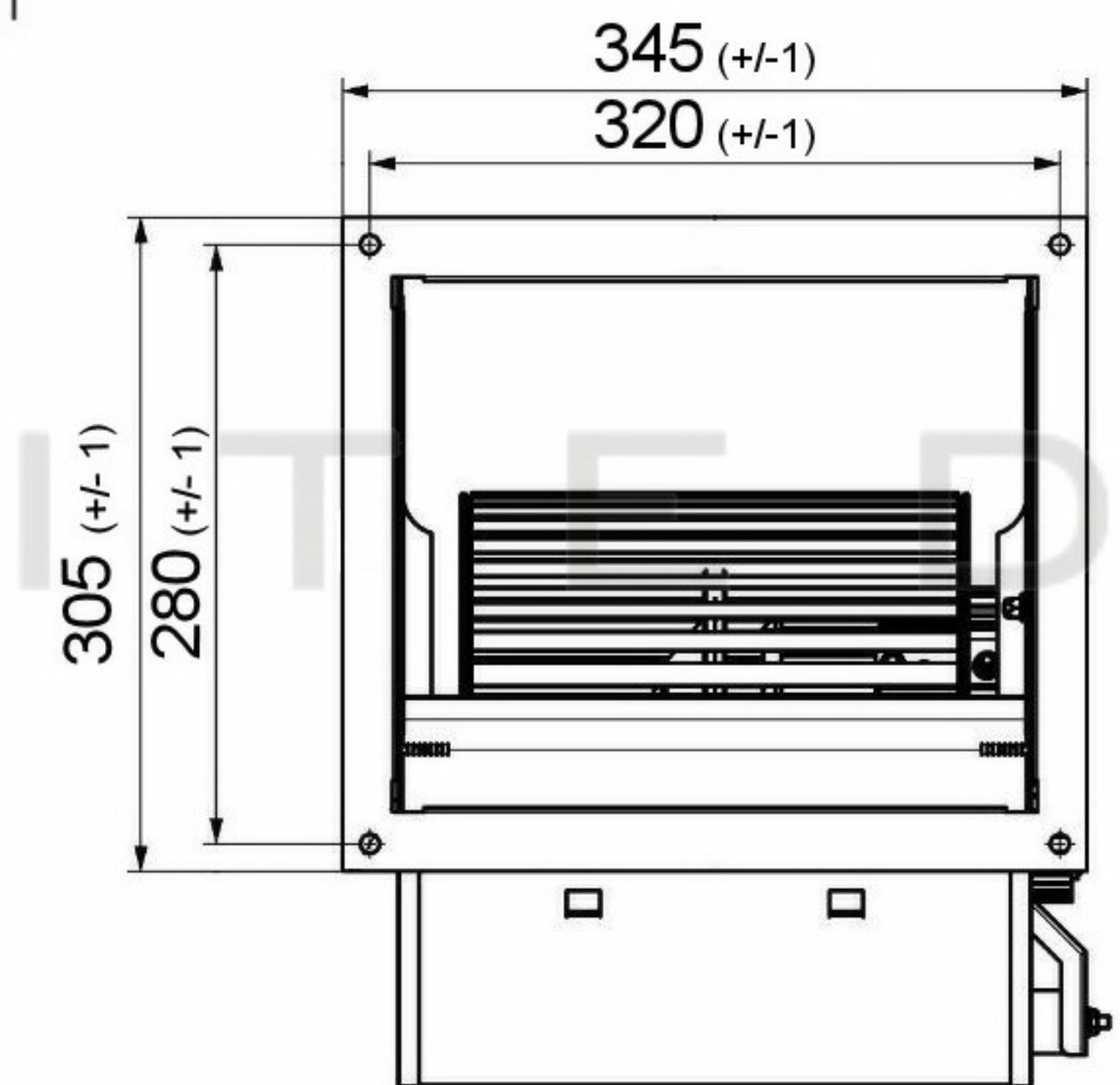
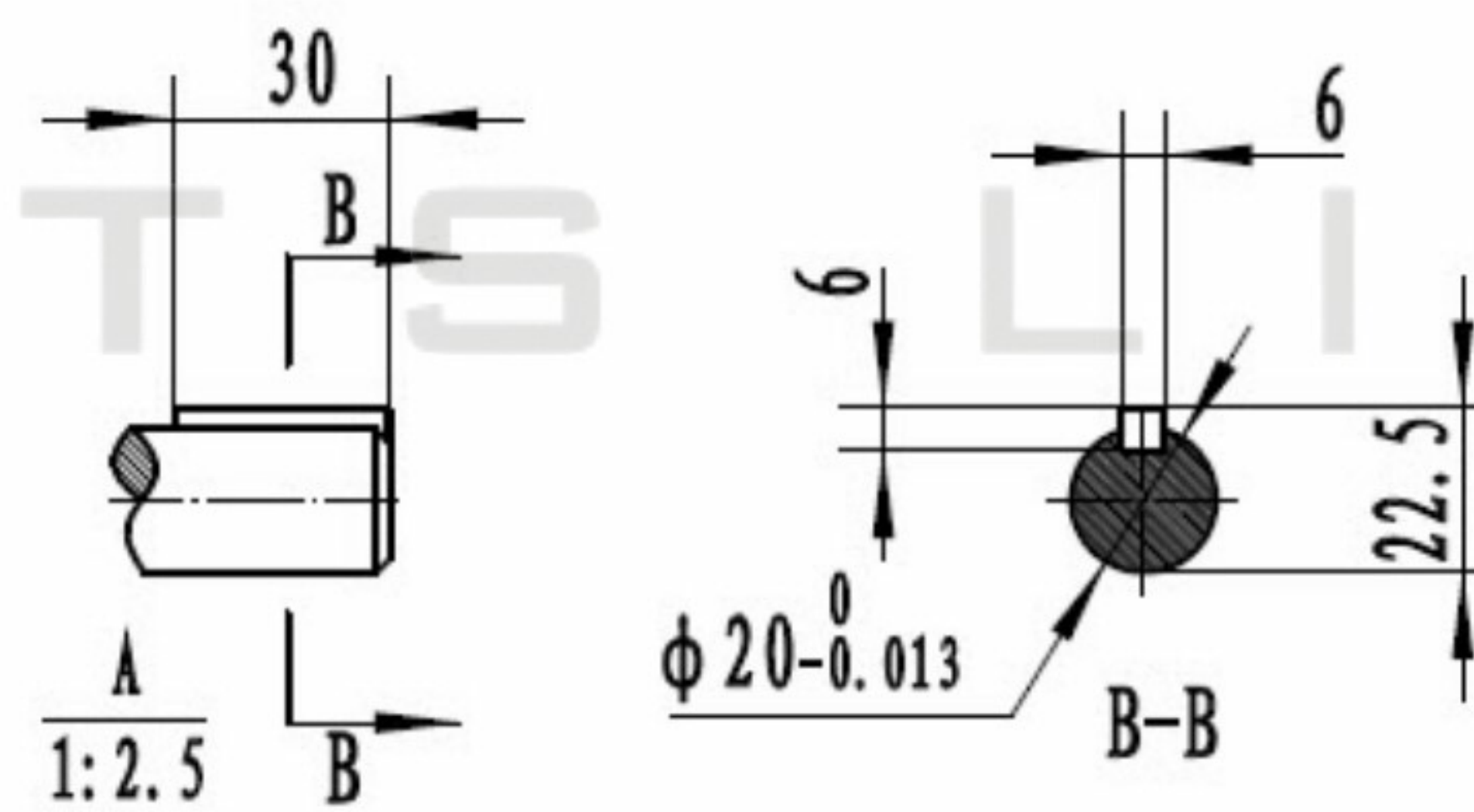
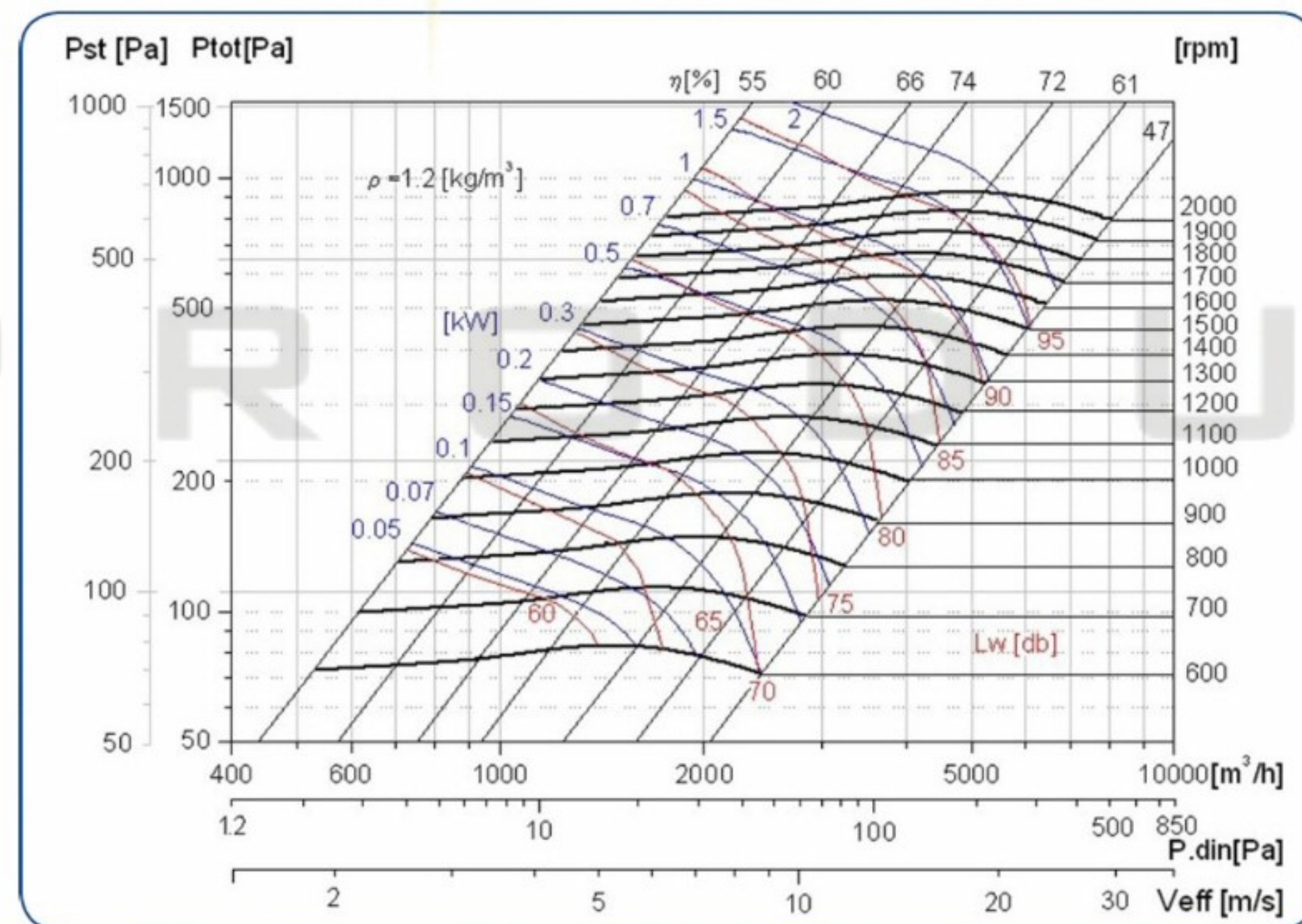


OPTIONAL EXTRA - FLANGE



9/9 TEST



SPECIFICATION

MODEL	CODE	IMPELLER DIMENSION mm	N° BLADES	MOTOR POWER MAX Kw	RPM MAX	Kg
9/9	DTA.99.S	240X245	42	3	2100	8.4

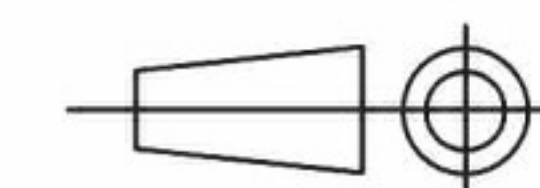
**POLE STAR**  
PRODUCTS LIMITED

POLE STAR PRODUCTS LIMITED

Product Code

**DTA9/9**

Projection Angle ± 3°



A4  
Scale:  
Sheet: 1 of