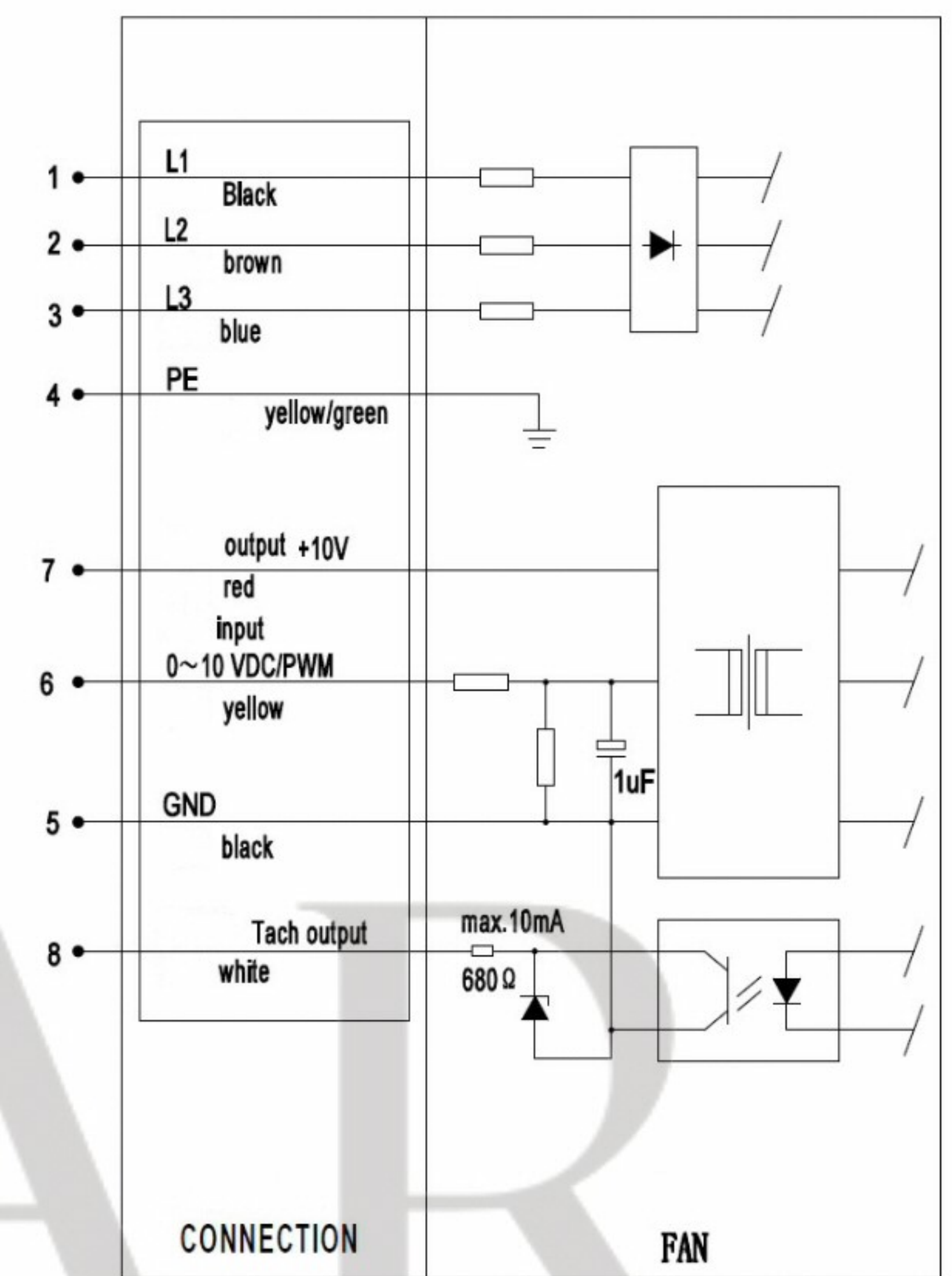
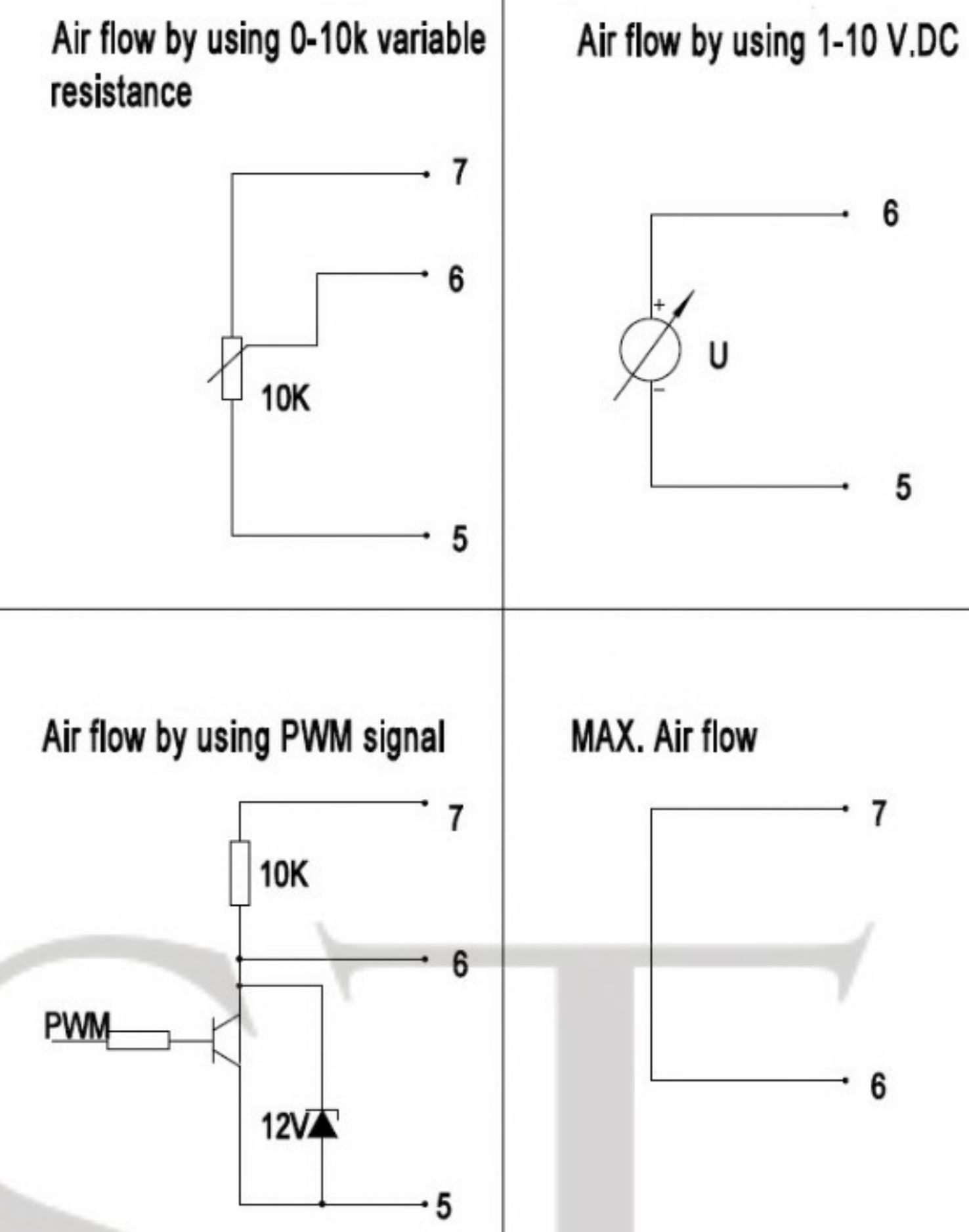


Connection Diagram

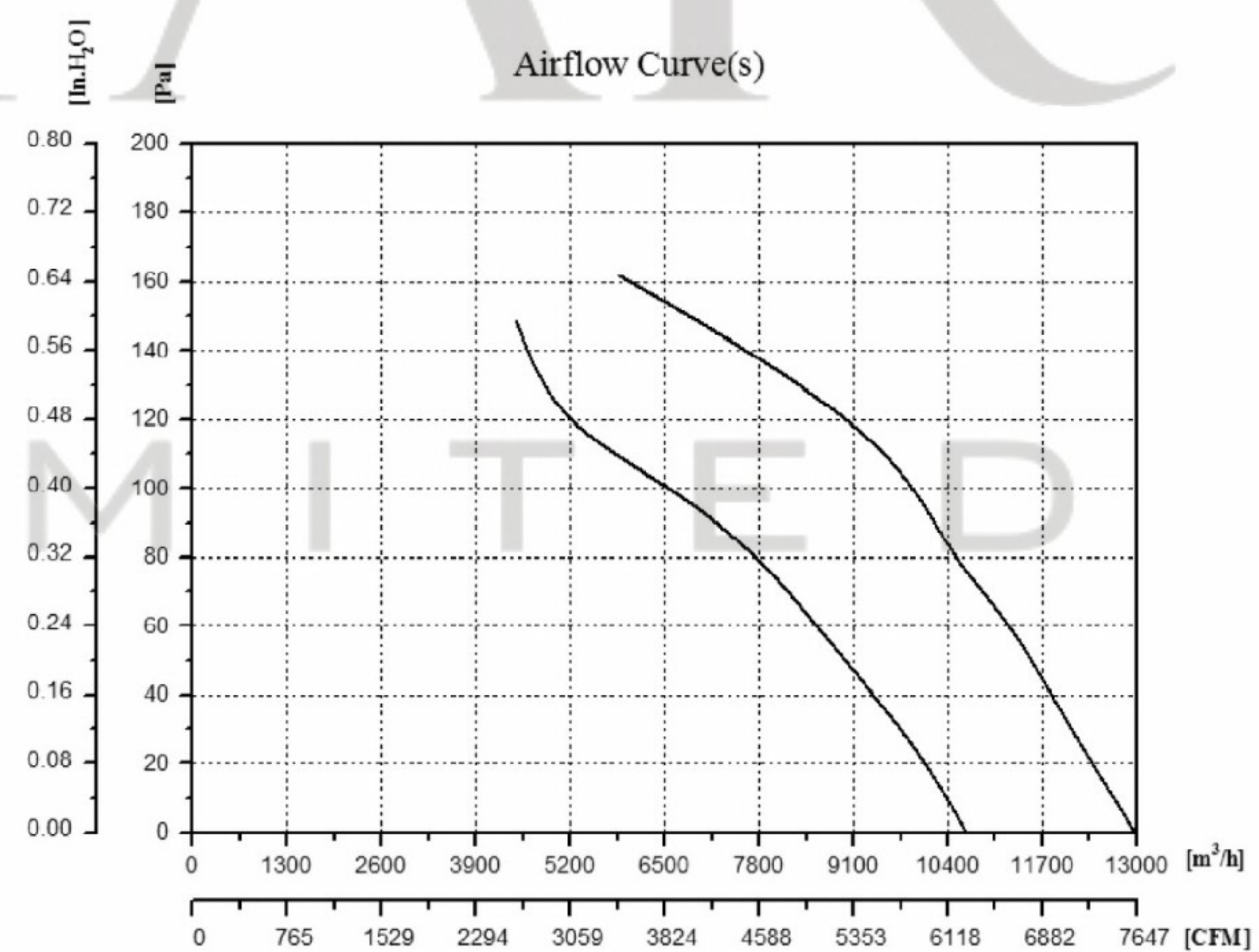


Measured Values

序号 No.	电压 Volt V	转速 Speed r/min	输入功率 Input W	静压 State Pressur Pa	流量 AirFlow m <sup>3</sup> /h	流量 CFM	序号 No.	电压 Volt V	转速 Speed r/min	输入功率 Input W	静压 State Pressur Pa	流量 AirFlow m <sup>3</sup> /h	流量 CFM		
1	400	1207	965.7	161.8	0.65	5878.2	3457.8	9	400	1042	706.8	148.5	0.59	4460.1	2623.6
2	400	1205	960.9	141.6	0.57	7538.6	4434.5	10	400	1041	614.6	119.3	0.48	4978.5	2928.5
3	400	1243	927.5	118.9	0.48	9151.5	5383.2	11	400	1042	603.6	99.8	0.40	6667.0	3921.8
4	400	1244	953.3	99.8	0.40	9982.7	5872.2	12	400	1041	548.7	79.3	0.32	7835.3	4609.0
5	400	1243	934.9	78.2	0.31	10512.3	6183.7	13	400	1042	541.2	60.9	0.24	8559.9	5035.3
6	400	1244	917.8	61.0	0.24	11273.2	6631.3	14	400	1041	524.4	38.8	0.16	9426.9	5545.2
7	400	1247	869.8	31.2	0.12	12052.0	7089.4	15	400	1042	497.9	21.4	0.09	10071.1	5924.2
8	400	1243	812.7	0.4	0.00	12967.5	7628.0	16	400	1044	471.0	0.2	0.00	10652.9	6266.4

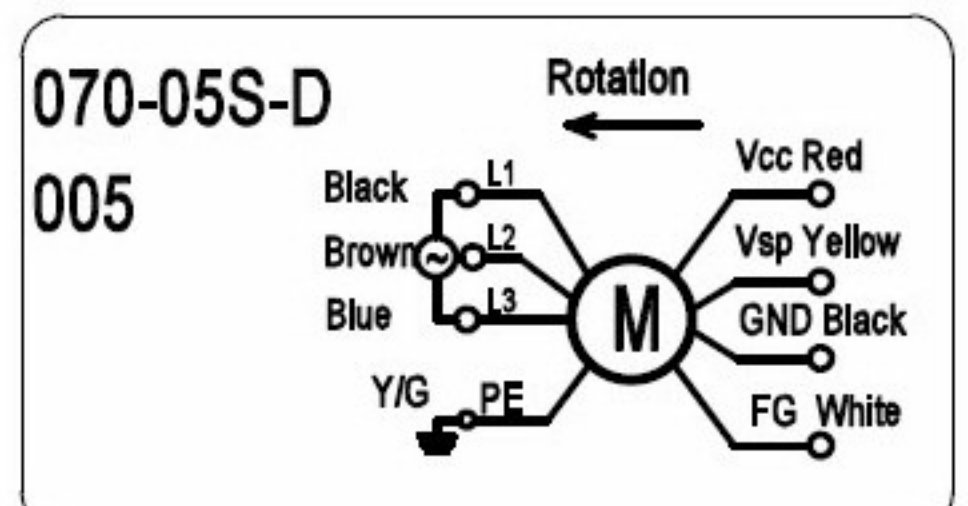
信号名 SIGNAL	颜色 COLOR	规格 SPEC
L1	黑 BLACK	AC400V 50/60Hz
L2	棕 BROWN	AC400V 50/60Hz
L3	蓝 BLUE	AC400V 50/60Hz
PE	黄/绿 YELLOW/GREEN	接地 EARTH

信号名 SIGNAL	颜色 COLOR	规格 SPEC
Vcc	红 RED	DC10V输出
Vsp	黄 YELLOW	0-10V/PWM
GND	黑 BLACK	GND
FG	白 WHITE	Pulse/R



Data according to ErP Directive: Actual Req.2015  
 Installation category: A static  
 Efficiency category: 35.54 33.47  
 Overall Efficiency η es: 42.08 40  
 Efficiency grade N: 42.08 40  
 Variable speed drive: yes  
 Power consumption Ped: W 928  
 Air flow qv: m<sup>3</sup>/h 9152  
 Pressure increase Pts: Pa 119  
 Speed(rpm) n: min<sup>-1</sup> 1243  
 \*\*ErP2015

Pole Star Products Ltd  
 www.psp.uk.com  
 MODEL:GMA3-630S-EC  
 400V 50/60Hz 1.8Amp  
 1000W 1250rpm Th.Prot CL:F  
 ErP2015 η =35.5% (A,static) N40 N=42



SPECIFICATION					
Motor	EC	Speed (RPM)	1250	Bearings	Ball
Voltage (V)	380~480V	Motor Protection	Th.Prot	Weight (Kg)	16.0
Frequency (Hz)	50/60	Insulation Class	F	Noise dB(A)	78
Power In/Out (W)	1000	Protection Class	IP54	Airflow (m3/h)	12967
Current (A)	1.8	Ambient °C	-20°C~+60		

POLE STAR  
 PRODUCTS LIMITED

POLE STAR PRODUCTS LIMITED  
 Product Code  
**GMA3-630S-EC**  
 Projection Angle ± 3°  
 A4  
 Scale:  
 Sheet: 1 of